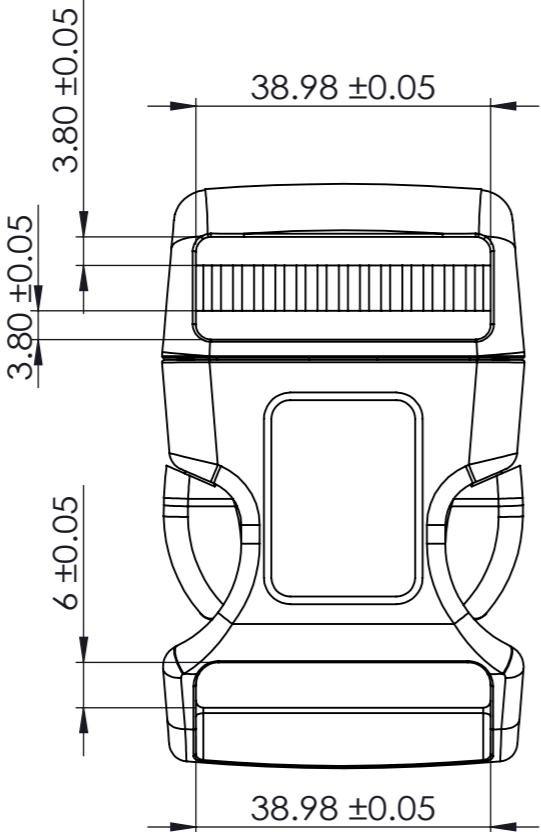


47.94 ±0.05

TOP VIEW



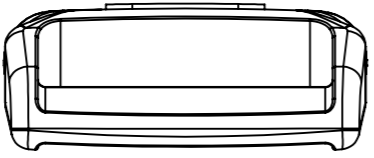
FRONT VIEW

18.47 ±0.05

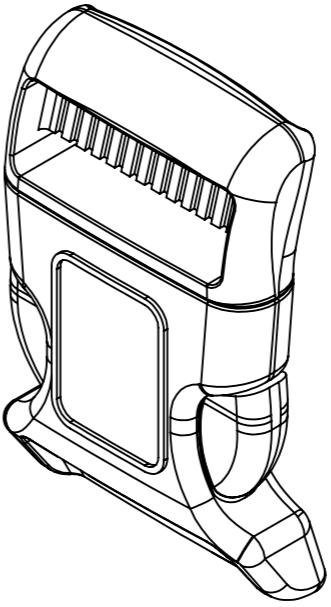
LEFT SIDE VIEW

77.27 ±0.05

RIGHT SIDE VIEW



BOTTOM VIEW



3D VIEW



This drawing is our property. It can't be reproduced or communicated without our written agreement.



DRAWN BY BRUCE WANG	DATE 2023/07/21
CHECKED BY DANIEL CHEN	DATE 2023/07/21
DESIGNED BY RD	DATE 2023/07/21

DRAWING TITLE HEAVY CONTOURED SIDE RELEASE BUCKLE			
SIZE A3	DRAWING NUMBER SF208-1 38MM	REV X	
SCALE:1:1	MATERIAL: POM	SHEET	1/1