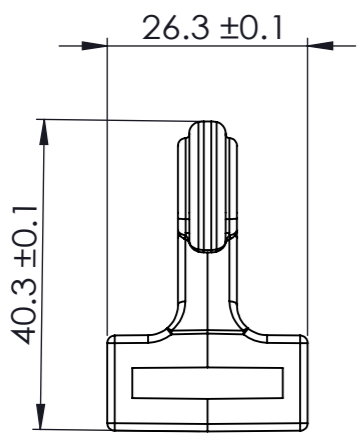
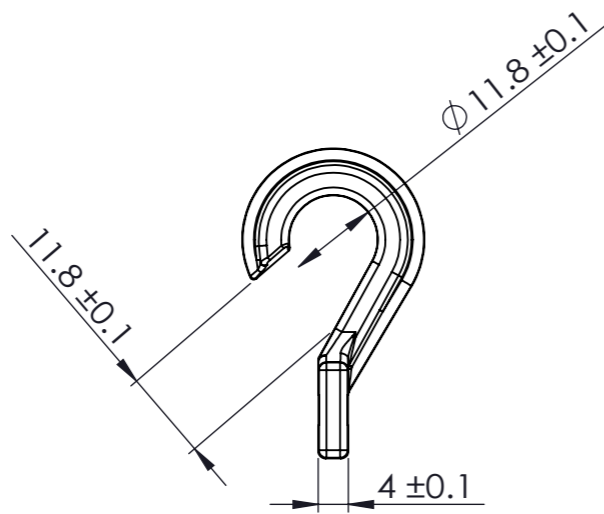


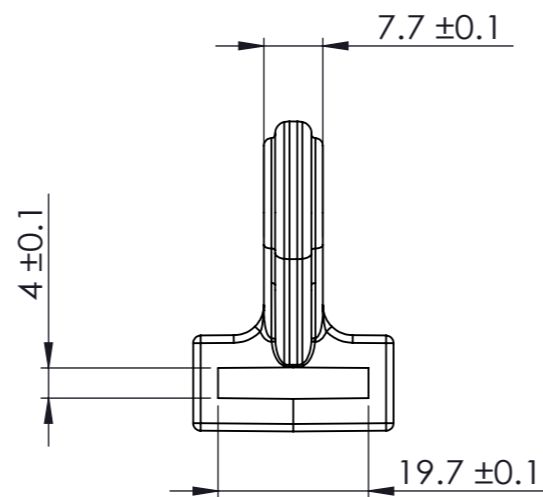
TOP VIEW



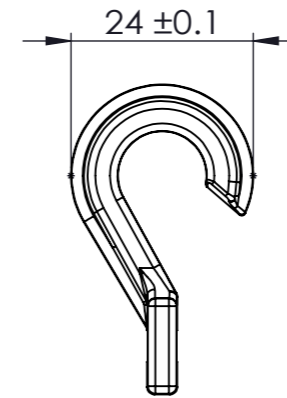
RIGHT SIDE VIEW



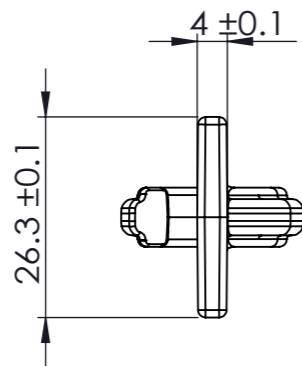
FRONT VIEW



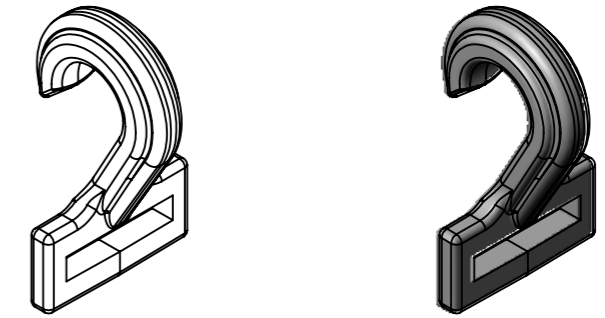
LEFT SIDE VIEW



BACK VIEW



BOTTOM VIEW



3D VIEW

This drawing is our property.  
It can't be reproduced  
or communicated without  
our written agreement.



DRAWING TITLE

**FIXED HOOK**

DRAWN BY  
**BRUCE WANG**

DATE  
2023/06/15

CHECKED BY  
DANIEL CHEN

DATE  
2023/06/15

SIZE  
**A3**

DRAWING NUMBER  
**SF 358-20mm**

REV  
**x**

DESIGNED BY  
**RD**

DATE  
2023/06/15

SCALE:1:1

MATERIAL:  
POM

SHEET

1/1