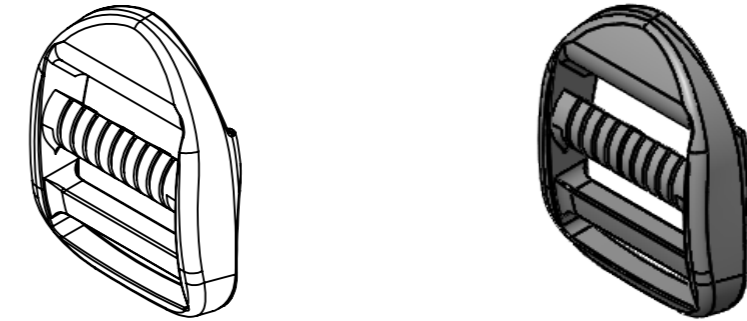
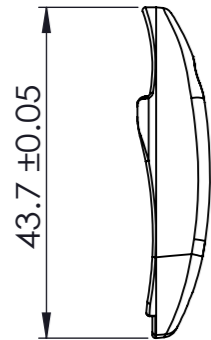


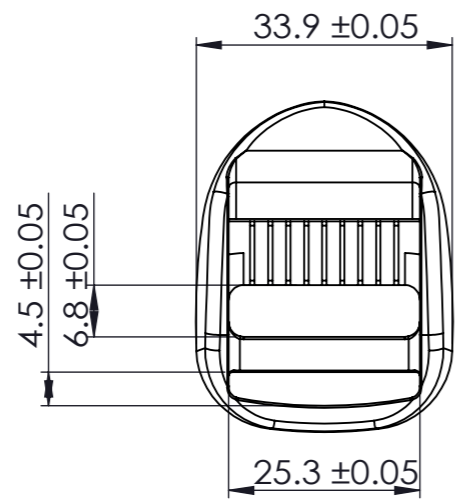
TOP VIEW



3D VIEW



RIGHT SIDE VIEW



FRONT VIEW



LEFT SIDE VIEW



BOTTOM VIEW

This drawing is our property.
It can't be reproduced
or communicated without
our written agreement.



DRAWING TITLE			
HEAVY TENSION LOCK			
DRAWN BY BRUCE WANG	DATE 2018/04/02	SIZE A3	DRAWING NUMBER SF528
CHECKED BY DANIEL CHEN	DATE 2018/04/02	REV X	
DESIGNED BY RD	DATE 2018/04/02	SCALE:1:1	MATERIAL: POM
		SHEET	1/1