

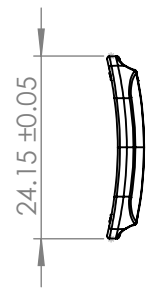
6 5 4 3 2 1

D

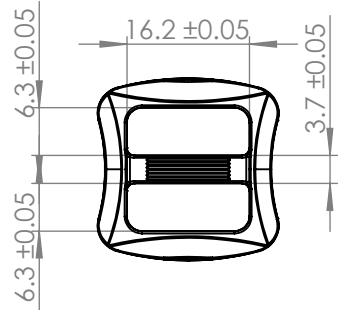
D



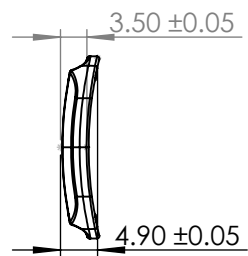
TOP VIEW



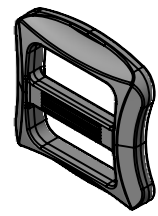
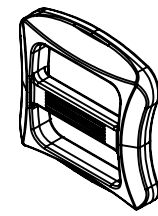
LEFT SIDE VIEW



FRONT VIEW



RIGHT SIDE VIEW



C

C

B

B



A

A

This drawing is our property.
It can't be reproduced
or communicated without
our written agreement.



欣芳塑膠工業有限公司
SHIN FANG PLASTIC INDUSTRIAL CO., LTD.

DRAWING TITLE

SLIDE

DRAWN BY
BRUCE WANG

DATE
2020/12/18

CHECKED BY
DANIEL CHEN

DATE
2020/12/18

DESIGNED BY
RD

DATE
2020/12/18

SIZE
A4

DRAWING NUMBER
SF 530-16MM

REX
x

SCALE:1:1

MATERIAL:
PA 6

SHEET:

1 / 1

6 5 4 3 2 1