

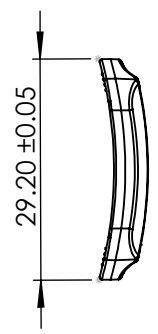
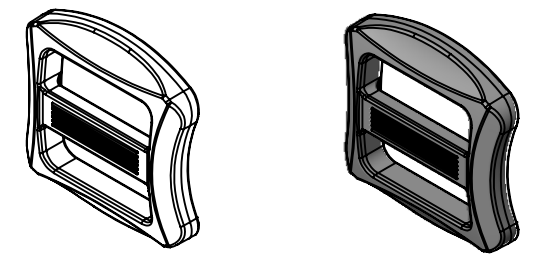
6 5 4 3 2 1

D

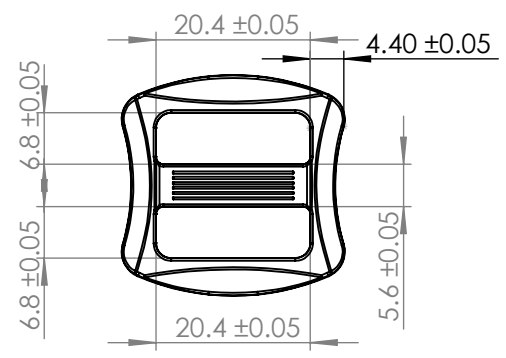
D



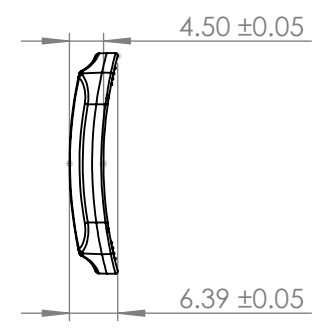
TOP VIEW



LEFT SIDE VIEW



FRONT VIEW



RIGHT SIDE VIEW



C

C

B

B

A

A

This drawing is our property.
It can't be reproduced
or communicated without
our written agreement.



DRAWN BY BRUCE WANG	DATE 2020/12/18
CHECKED BY DANIEL CHEN	DATE 2020/12/18
DESIGNED BY RD	DATE 2020/12/18

DRAWING TITLE			
SLIDE			
SIZE A4	DRAWING NUMBER SF 530-20MM		REX x
SCALE:1:1		MATERIAL: PA 6	SHEET: 1 / 1

6 5 4 3 2 1