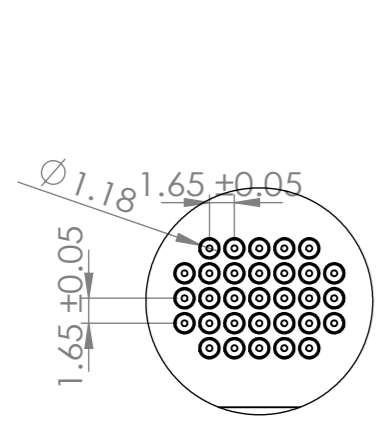
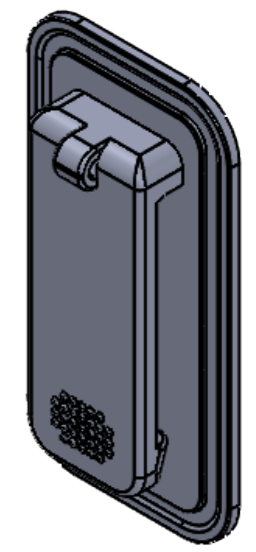
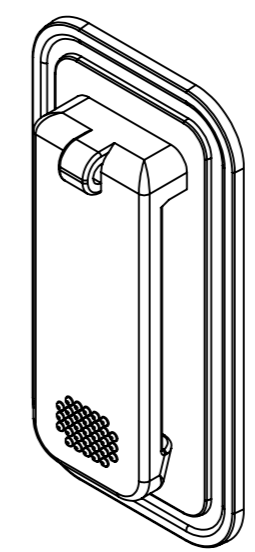
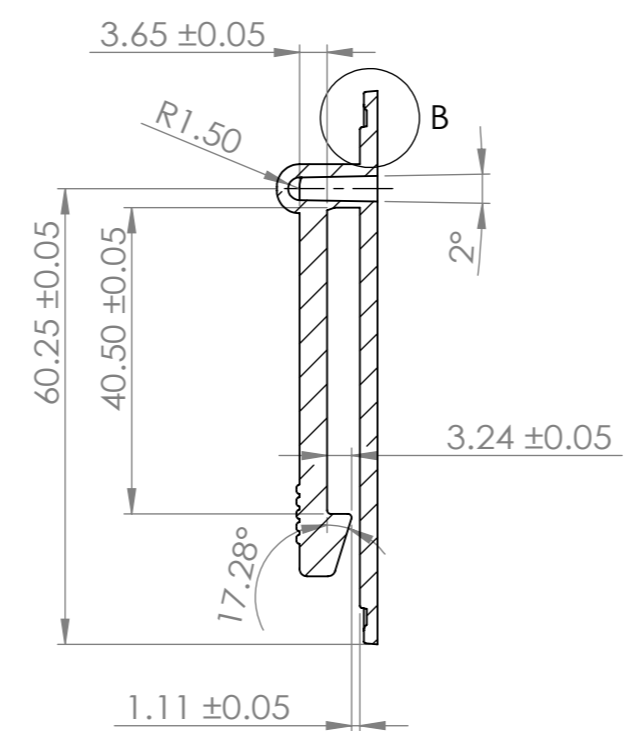
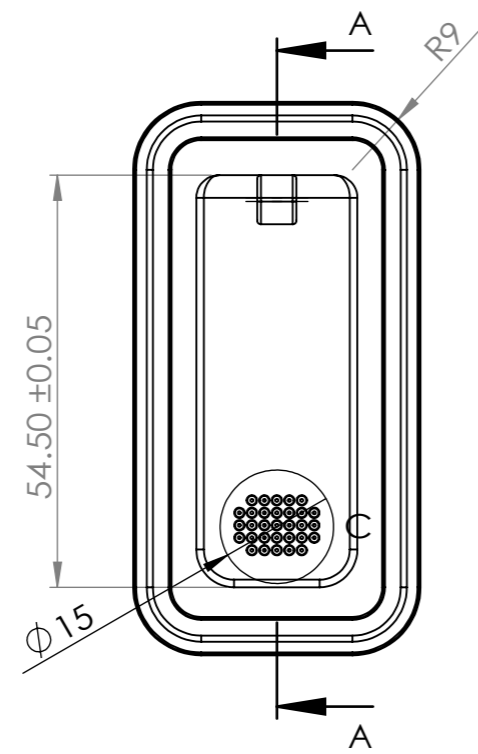


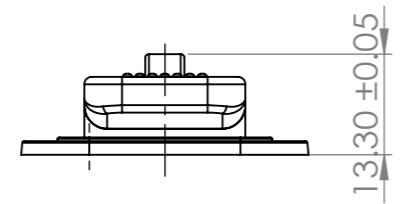
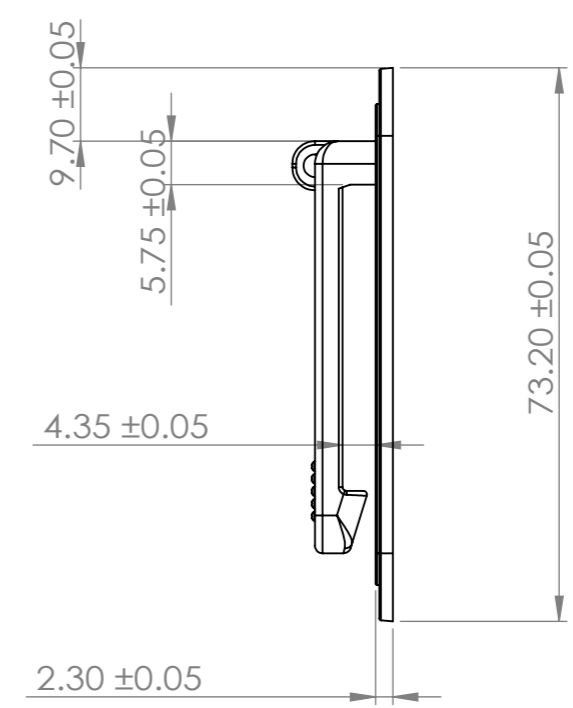
細部放大圖 B  
比例 2:1



細部放大圖 C  
比例 2:1



剖面圖 A-A



This drawing is our property.  
It can't be reproduced  
or communicated without  
our written agreement.



DRAWN BY <b>BRUCE WANG</b>	DATE 2016/9/13
CHECKED BY <b>DANIEL CHEN</b>	DATE 2016/9/13
DESIGNED BY <b>RD</b>	DATE 2016/9/13

DRAWING TITLE <b>Hook Series</b>		
A3	DRAWING NUMBER <b>SF356</b>	REX <b>X</b>
SCALE:1:1	MATERIAL <b>PA</b>	SHEET 1/1