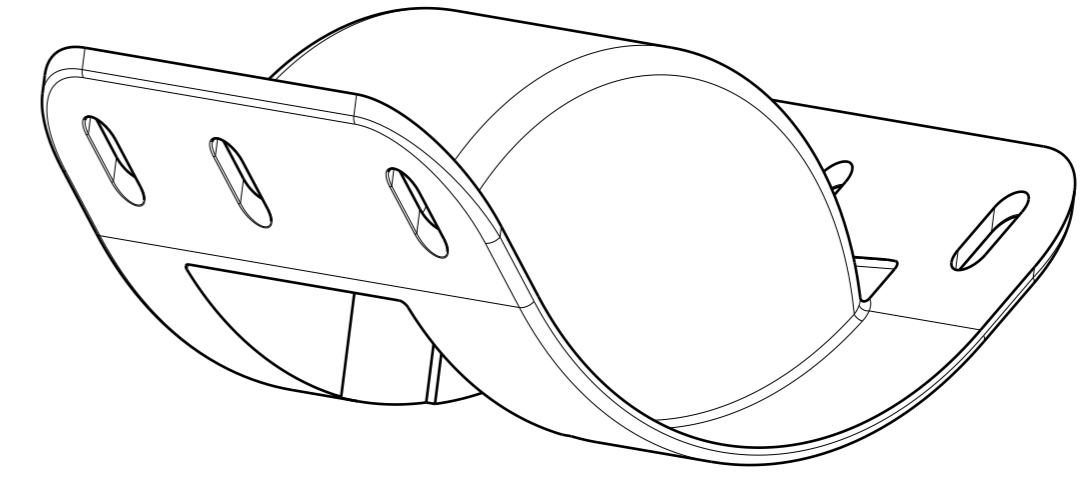
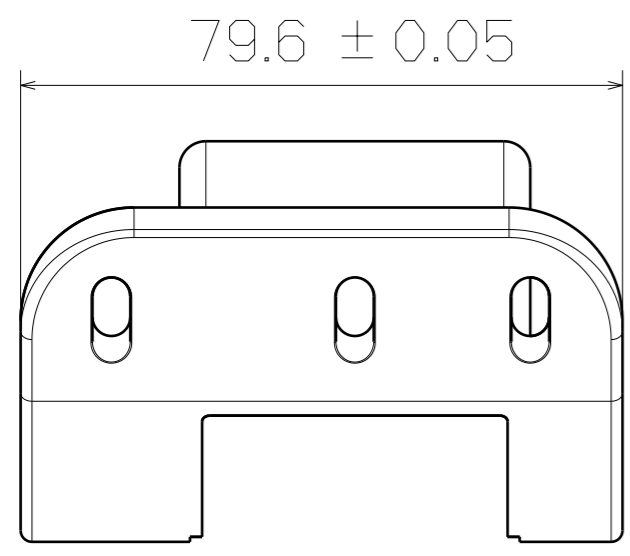


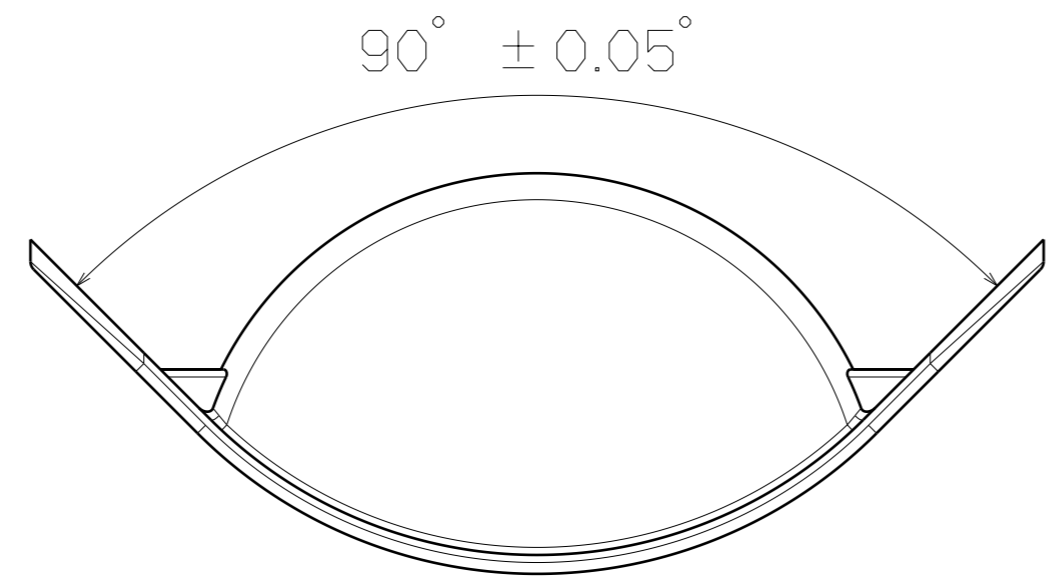
Top View



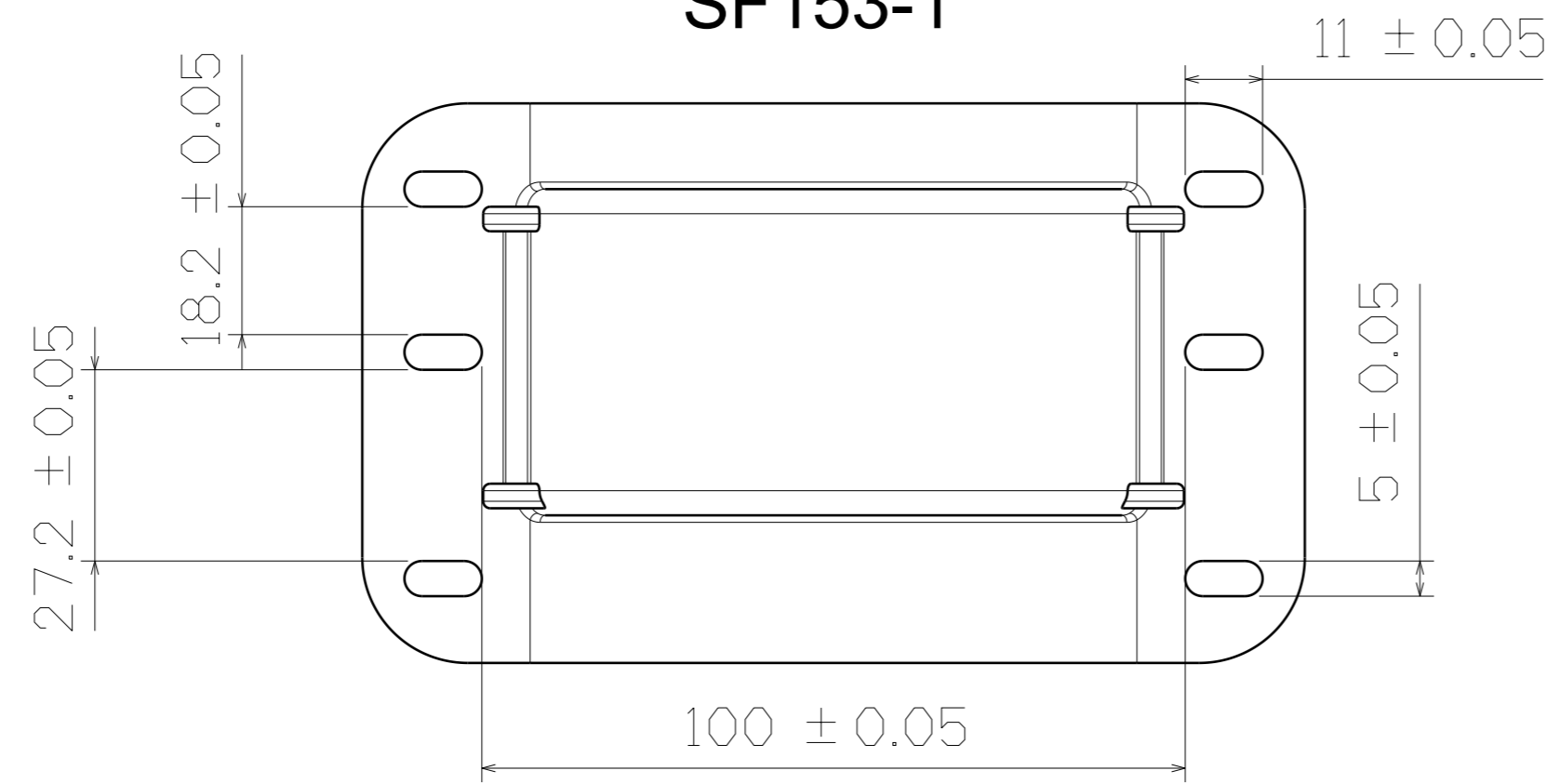
3D View



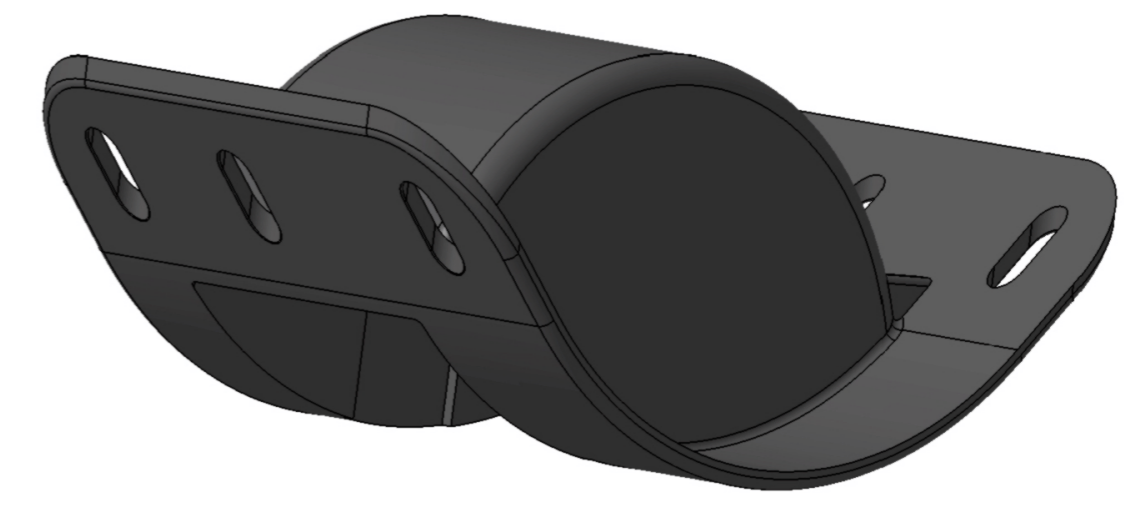
Right View



SF153-1



Bottom View



This drawing is our property. It can't be reproduced or communicated without our written agreement.



DRAWN BY		DATE		DRAWING TITLE			
BRIAN CHEN		1999/1/8		Single hole inner cover			
CHECKED BY		DATE		SIZE	DRAWING NUMBER		REV
JIMMY CHEN		1999/1/9		A2	SF153-1		X
DESIGNED BY		DATE		SCALE	MATERIAL	PP	SHEET
RD		1999/1		1:1			1/1