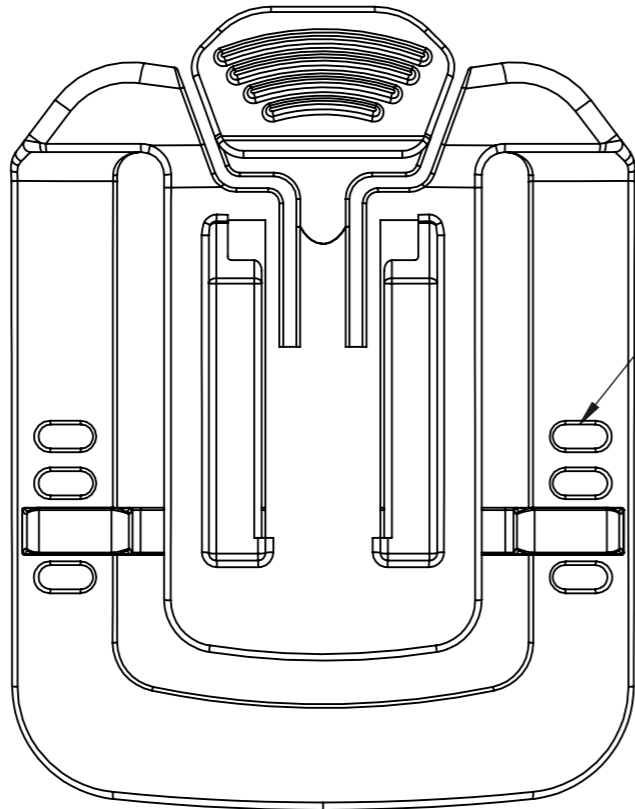


82.5 ± 0.1

TOP VIEW

106.2 ± 0.1

RIGHT SIDE VIEW

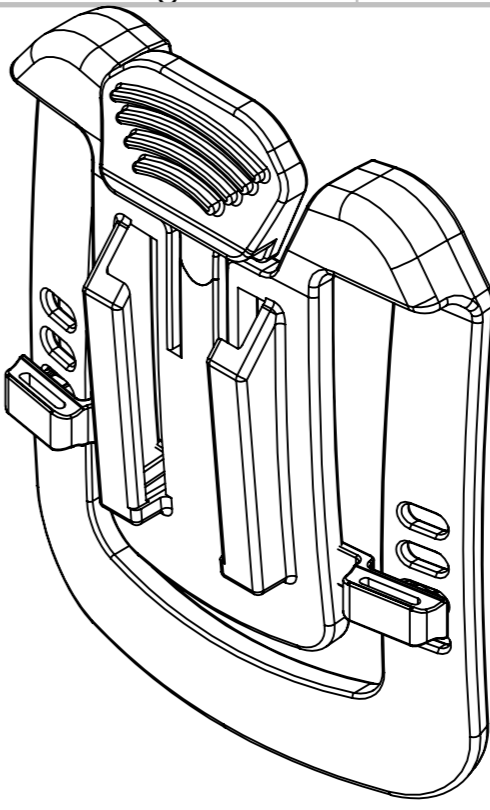


FRONT VIEW

Adjusting hole

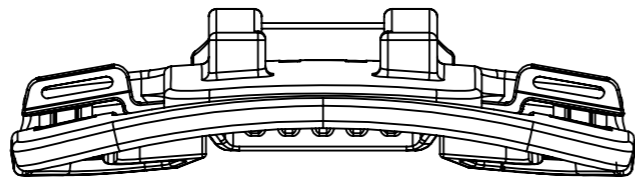
22 ± 0.1

LEFT SIDE VIEW



3D VIEW

The limit buckle is adjusted according to the width of the belt



BOTTOM VIEW

This drawing is our property. It can't be reproduced or communicated without our written agreement.



DRAWN BY BRUCE WANG	DATE 2022/07/04
CHECKED BY DANIEL CHEN	DATE 2022/07/04
DESIGNED BY RD	DATE 2022/07/04

DRAWING TITLE			
SIZE A3	DRAWING NUMBER SF-1051-快拆母扣-大腰帶式 58mm	REV X	
SCALE:1:1	MATERIAL: POM	SHEET	1/1