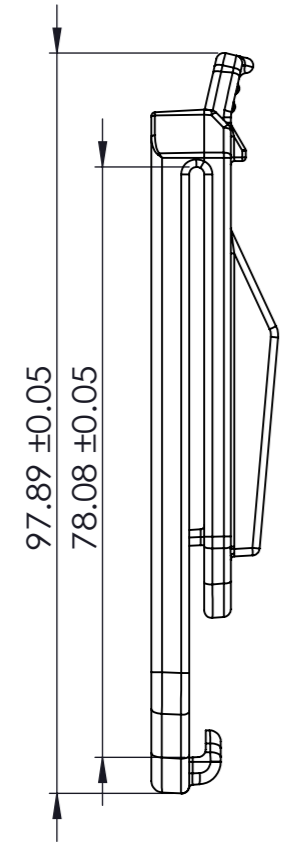
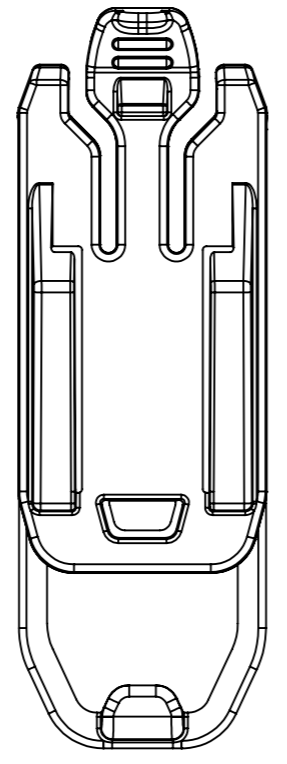


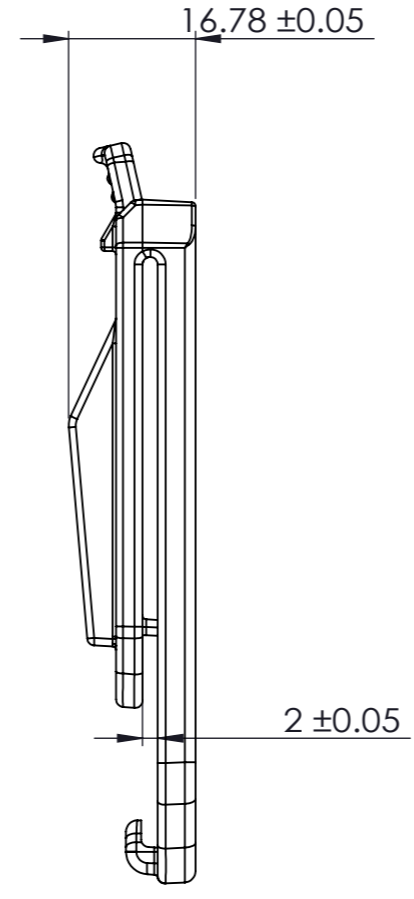
TOP VIEW



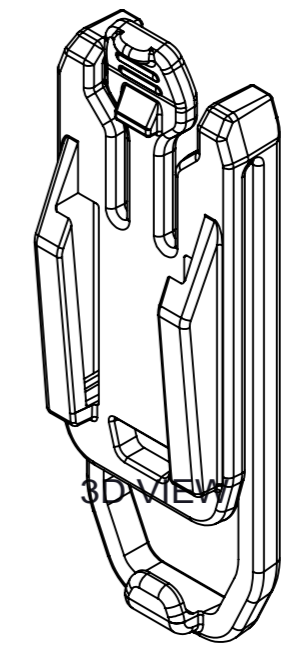
RIGHT SIDE VIEW



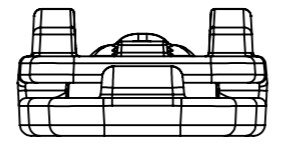
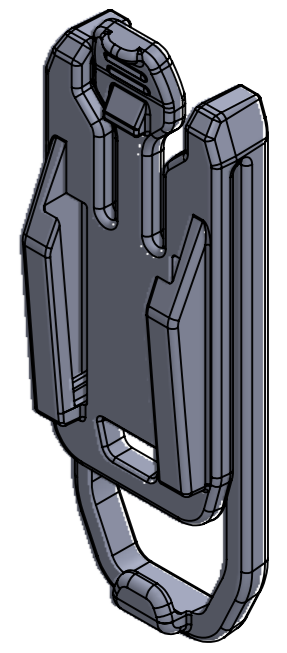
FRONT VIEW



LEFT SIDE VIEW



3D VIEW



BOTTOM VIEW

This drawing is our property.
It can't be reproduced
or communicated without
our written agreement.

DRAWN BY BRUCE WANG		DATE 2022/07/01		DRAWING TITLE	
CHECKED BY DANIEL CHEN		DATE 2022/07/01		SIZE A3	DRAWING NUMBER SF-1052-快拆母扣-MOLLE式 織帶間距78mm
DESIGNED BY RD		DATE 2022/07/01		SCALE:1:1	MATERIAL: POM
				SHEET	1/1
				REV X	