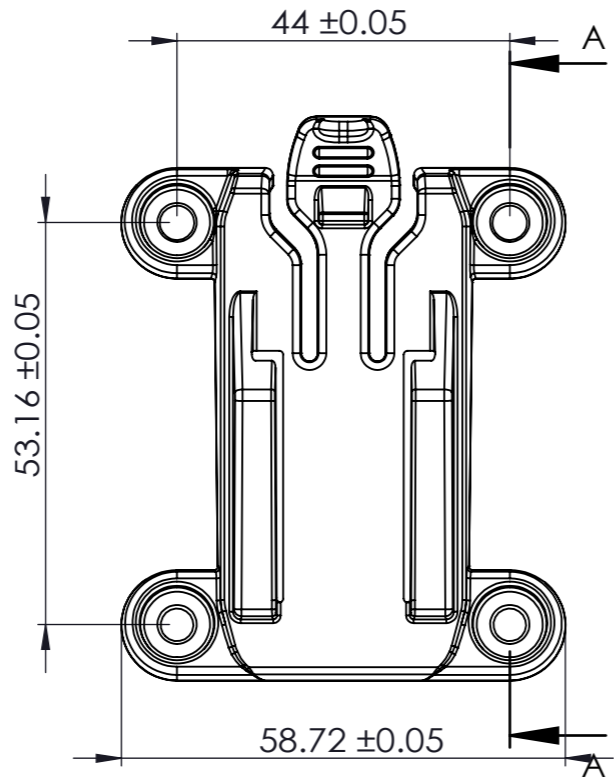
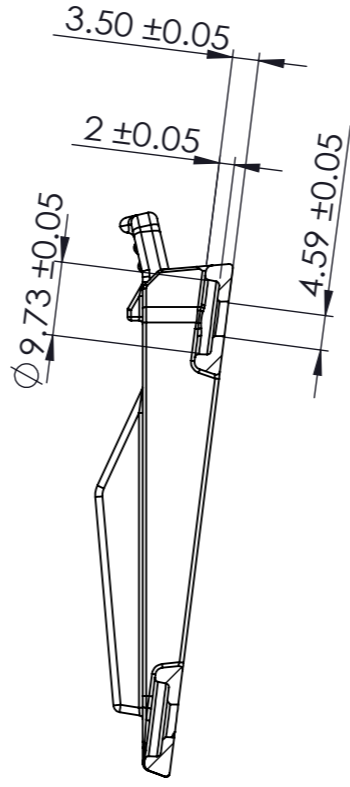


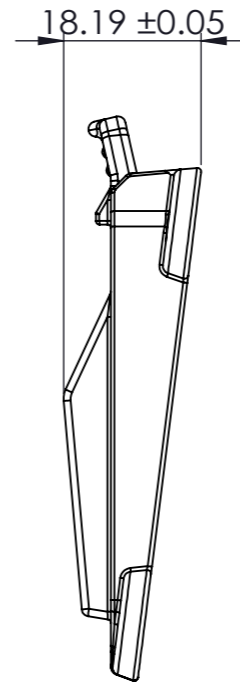
RIGHT SIDE VIEW



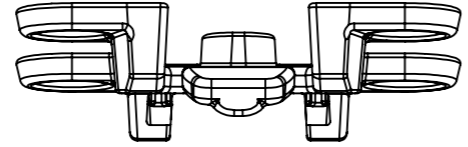
FRONT VIEW



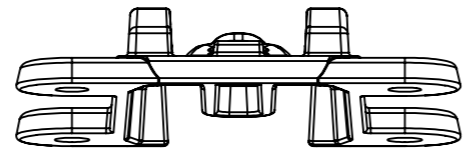
SECTION VIEW A-A



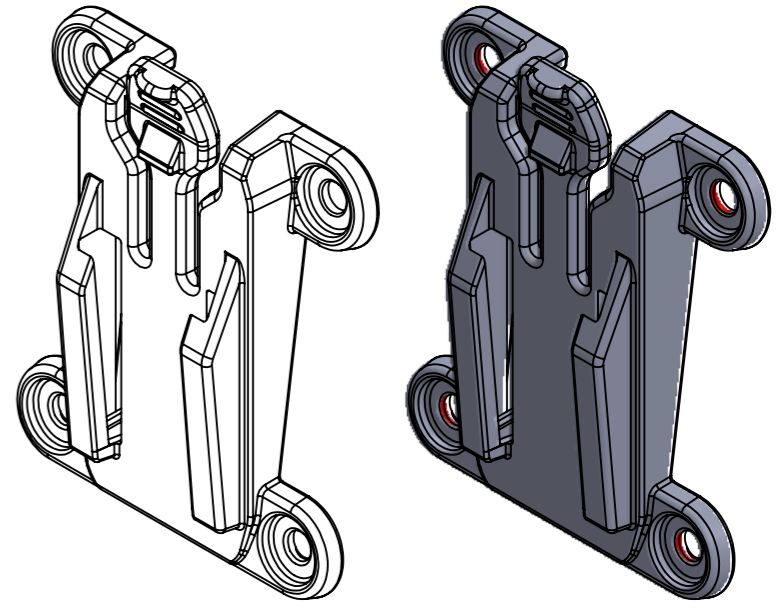
LEFT SIDE VIEW



TOP VIEW



BOTTOM VIEW



3D VIEW

This drawing is our property.
It can't be reproduced
or communicated without
our written agreement.



DRAWN BY BRUCE WANG	DATE 2022/07/01
CHECKED BY DANIEL CHEN	DATE 2022/07/01
DESIGNED BY RD	DATE 2022/07/01

DRAWING TITLE			
SIZE A3	DRAWING NUMBER SF-1054 快拆母扣-铆钉固定式	REV x	
SCALE:1:1	MATERIAL: POM	SHEET	1/1