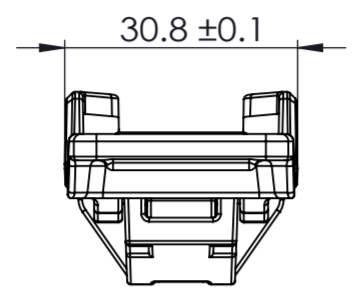


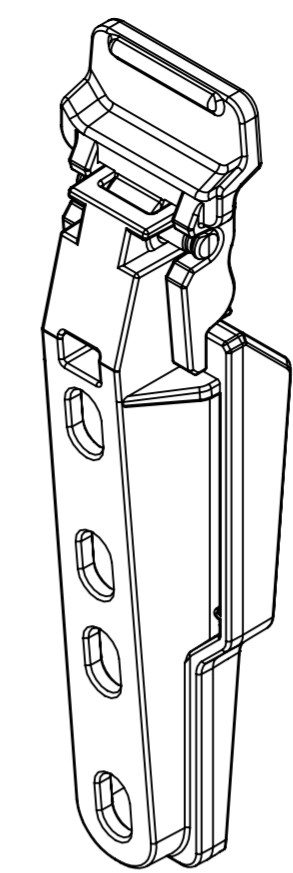
12 11 10 9 8 7 6 5 4 3 2 1

H
G
F
E
D
C
B
A

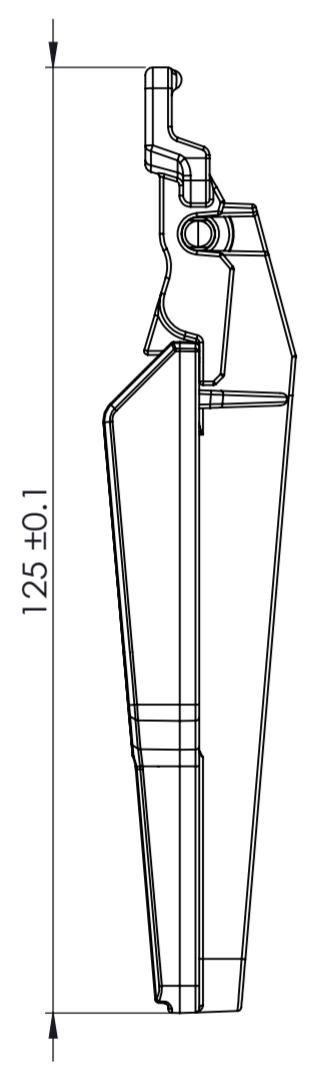
H
G
F
E
D
C
B
A



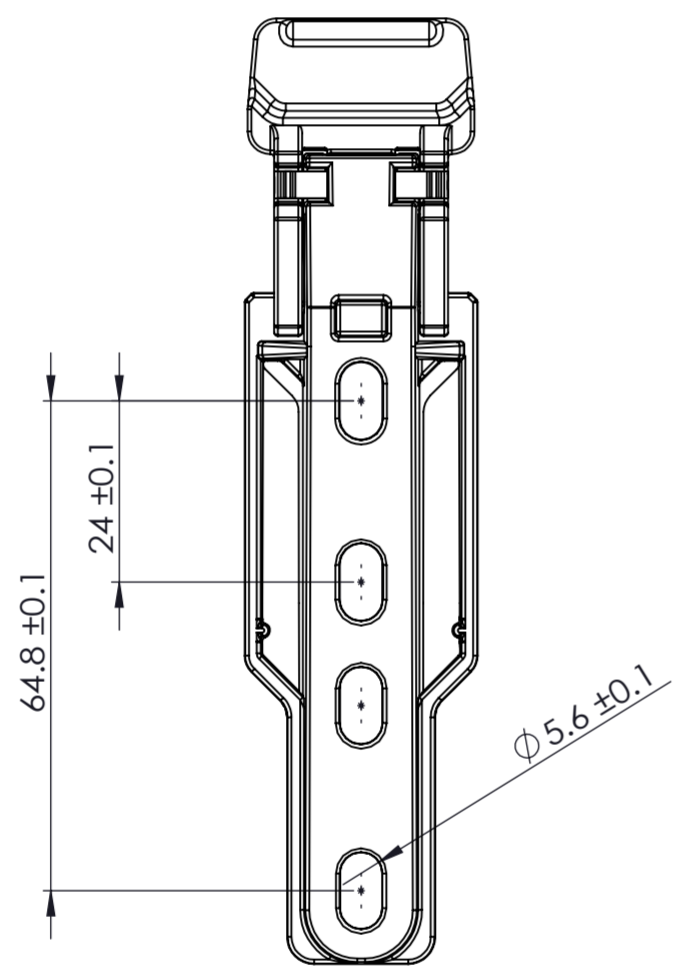
TOP VIEW



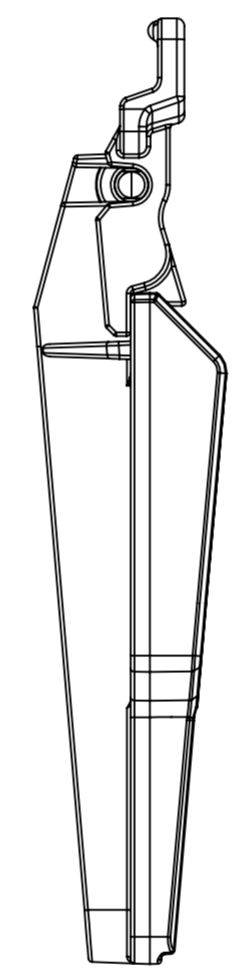
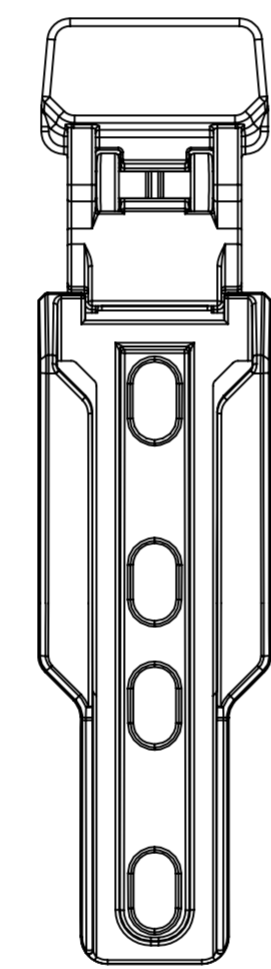
3D VIEW



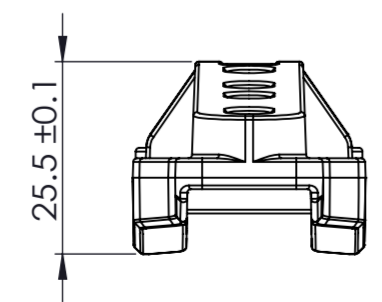
RIGHT SIDE VIEW



FRONT VIEW



LEFT SIDE VIEW



BOTTOM VIEW

This drawing is our property.
If can't be reproduced
or communicated without
our written agreement.



DRAWN BY BRUCE WANG	DATE 2022/07/01
CHECKED BY DANIEL CHEN	DATE 2022/07/01
DESIGNED BY RD	DATE 2022/07/01

DRAWING TITLE				
SIZE A2	DRAWING NUMBER SF-1056 快拆母扣組-腳踏車用	REV		
SCALE :1:1	MATERIAL POM /STAINLESS STEEL SPRING	SHEET	1/1	

12 11 10 9 8 7 6 5 4 3 2 1