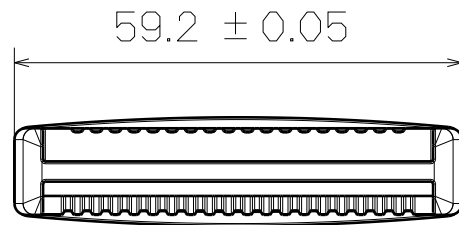


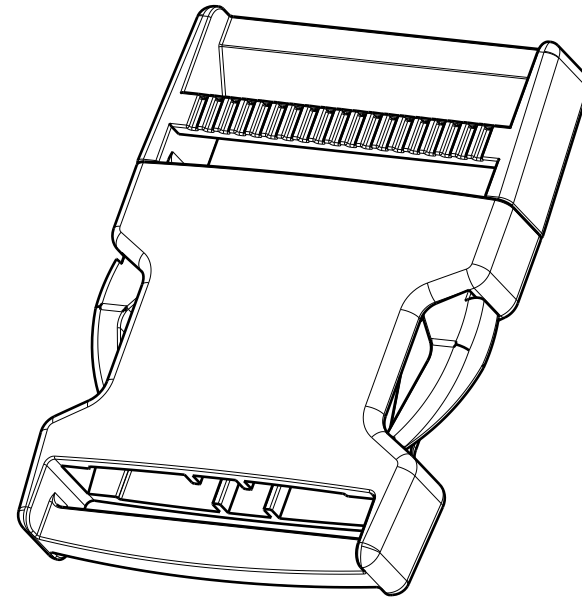
H G F E D C B A

4

4



Top View

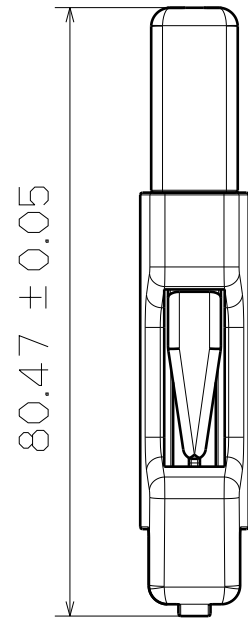


3D View

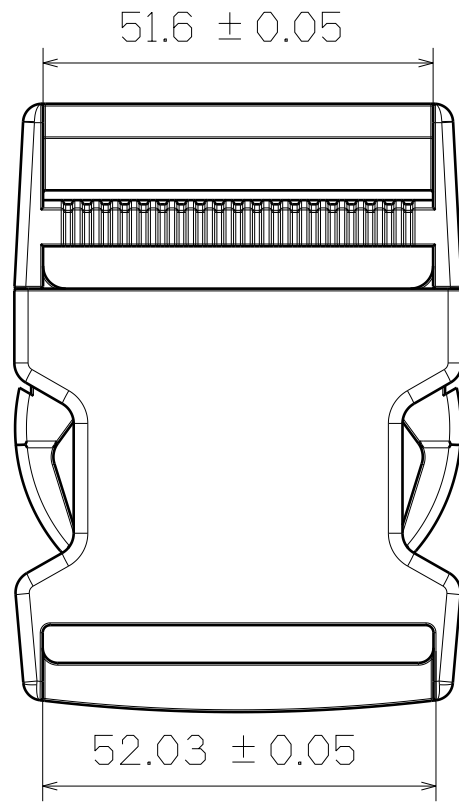


3

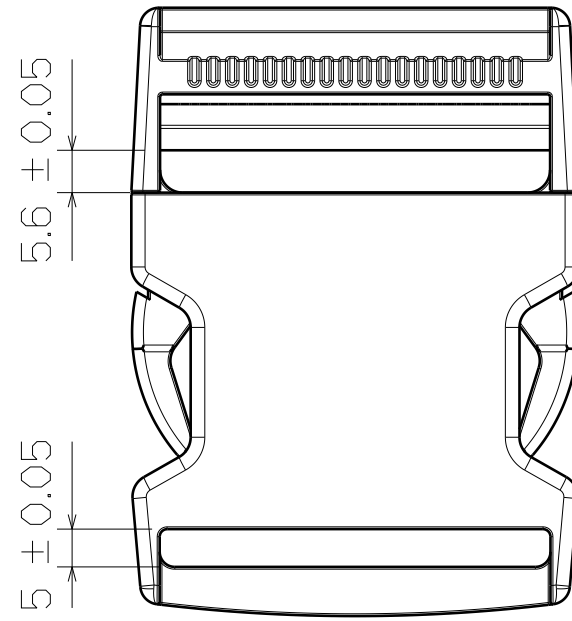
3



Right View



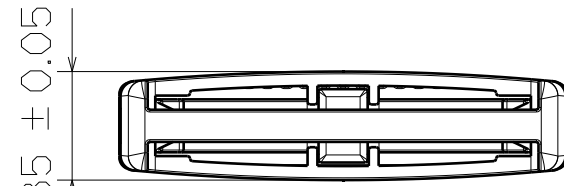
SF202-51mm



Back View

2


2



Bottom View

1

1

This drawing is our property. It can't be reproduced or communicated without our written agreement.		 SHIN FANG PLASTIC INDUSTRIAL CO., LTD.		
DRAWN BY DANIEL CHEN		DATE 1995/5/4		DRAWING TITLE SIDE RELEASE BUCKLE
CHECKED BY JIMMY CHEN		DATE 1995/5/7		
DESIGNED BY RD		DATE 1995/5		SIZE A3
SCALE 1:1		DRAWING NUMBER SF202-51MM		REV X
MATERIAL POM		SHEET 1/1		

H G F E D C B A