

H

G

F

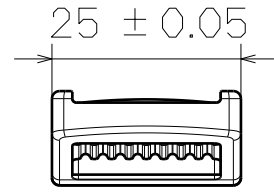
E

D

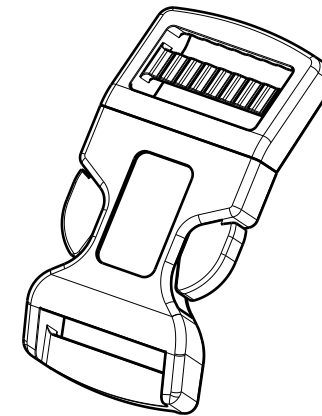
C

B

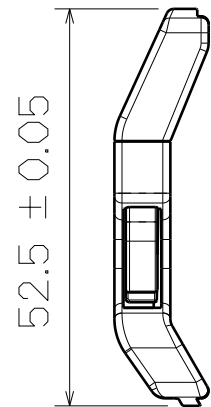
A



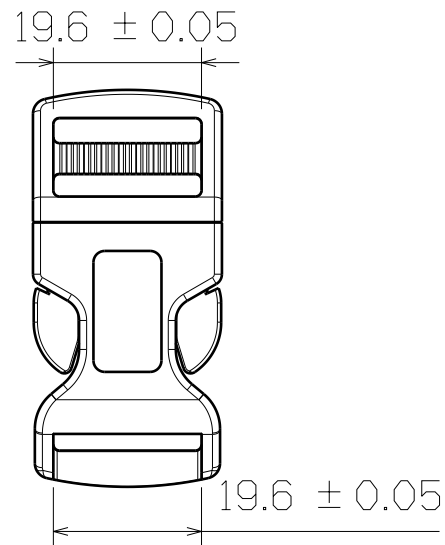
Top View



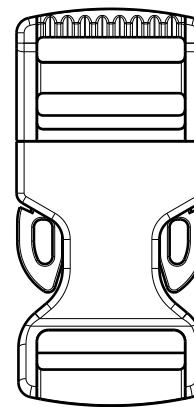
3D View



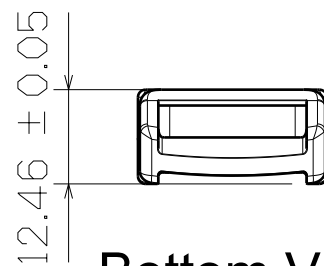
Right View



SF208-20mm



Back View



Bottom View

This drawing is our property.
It can't be reproduced
or communicated without
our written agreement.



**SHIN FANG PLASTIC
INDUSTRIAL CO., LTD.**

DRAWING TITLE

CONTOURED SIDE RELEASE BUCKLE

DRAWN BY	DATE
DANIEL CHEN	1995/8/5
CHECKED BY	DATE
JIMMY CHEN	1995/8/7
DESIGNED BY	DATE
RD	1995/8

SIZE	DRAWING NUMBER	REV			
A3	SF208-20MM	X			
SCALE	1:1	MATERIAL	POM	SHEET	1/1

4

4

3

3

2

2

1

1

H

G

B

A