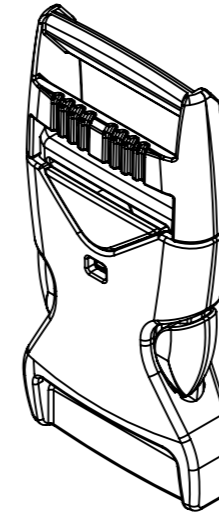
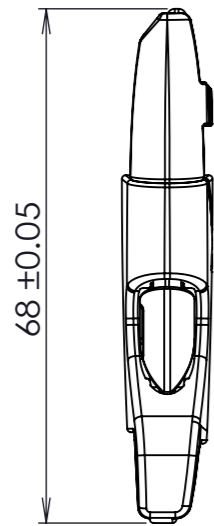


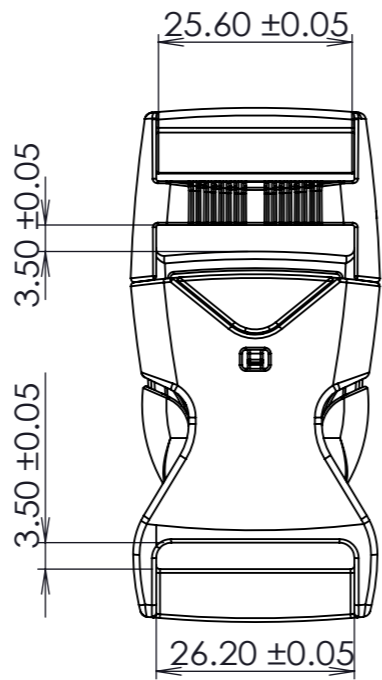
TOP VIEW



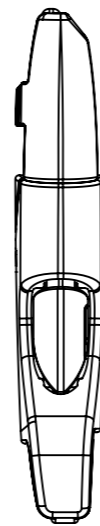
3D VIEW



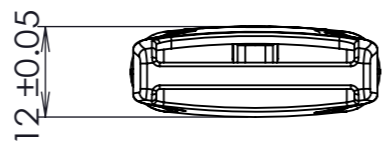
RIGHT SIDE VIEW




FRONT VIEW



LEFT SIDE VIEW



BOTTOM VIEW

This drawing is our property. It can't be reproduced or communicated without our written agreement.		 <b>欣芳塑膠工業有限公司</b> SHIN FANG PLASTIC INDUSTRIAL CO., LTD.		
DRAWN BY <b>BRUCE WANG</b>		DRAWING TITLE <b>SIDE RELEASE BUCKLE</b>		
DATE 2016/09/10		SIZE <b>A3</b>	DRAWING NUMBER <b>SF242-25MM</b>	
CHECKED BY DANIEL CHEN			REV X	
DATE 2016/09/15		MATERIAL: POM		
DESIGNED BY <b>RD</b>		SCALE:1:1		SHEET <b>1/1</b>