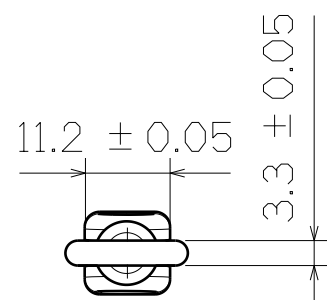
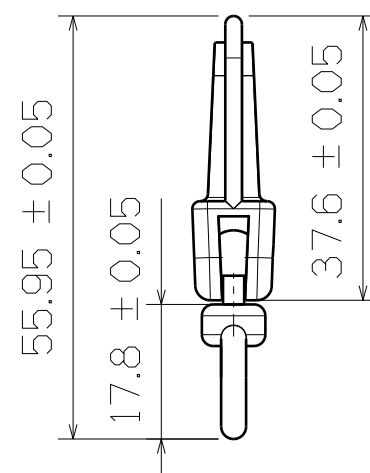


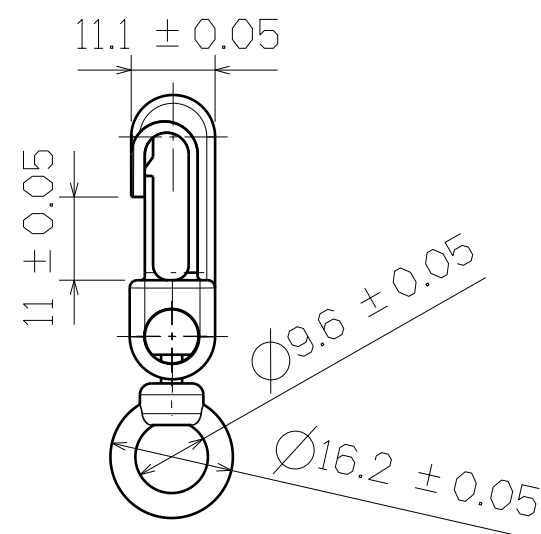
3D View



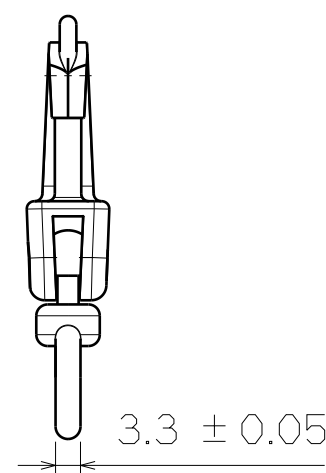
Top View



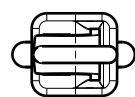
Right View




SF303-2



Left View



Bottom View

| | | | | | |
|---|--|---|--|------------------------------------|------------------------|
| This drawing is our property. It can't be reproduced or communicated without our written agreement. | |  SHIN FANG PLASTIC INDUSTRIAL CO., LTD. | | | |
| DRAWN BY DANIEL CHEN | | DATE 1995/2/1 | | DRAWING TITLE SMALL HOOK | |
| CHECKED BY JIMMY CHEN | | DATE 1995/2/3 | | SIZE A3 | REV X |
| DESIGNED BY RD | | DATE 1995/2 | | SCALE 1:1 | MATERIAL POM |
| | | | | SHEET 1/1 | |