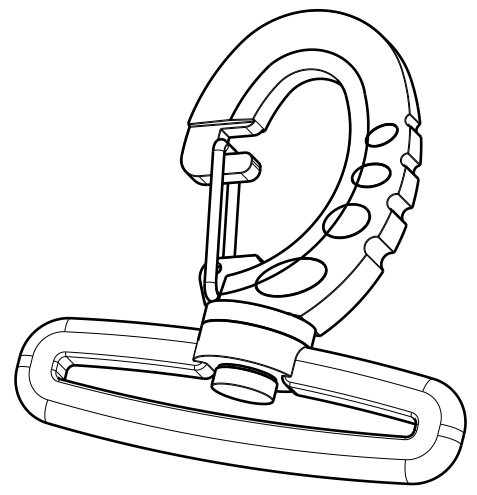
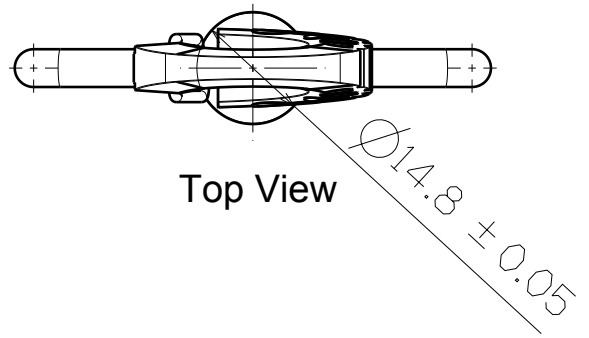


H G F E D C B A

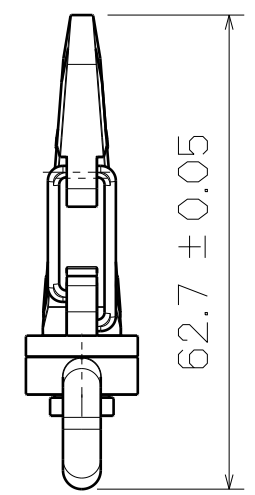
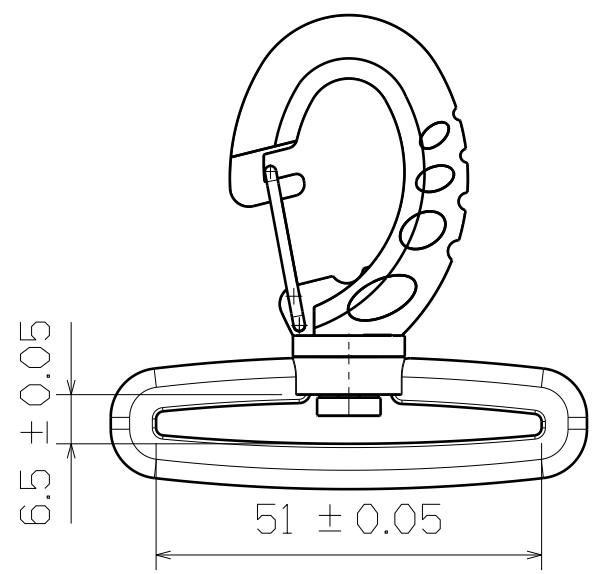
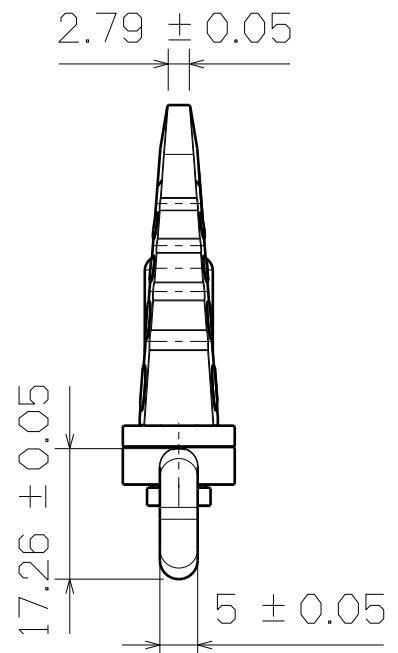
4

4



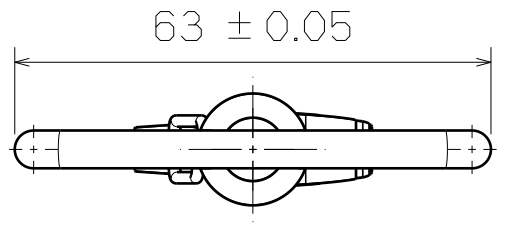
3

3



2

2



1

1

H G F E D C B A

This drawing is our property.
It can't be reproduced
or communicated without
our written agreement.



**SHIN FANG PLASTIC
INDUSTRIAL CO., LTD.**

DRAWN BY		DATE		DRAWING TITLE			
DANIEL CHEN		1998/5/15		TWO COLORS SWIVEL HOOK			
CHECKED BY		DATE		SIZE	DRAWING NUMBER		REV
JIMMY CHEN		1998/5/20		A3	SF331TC-51MM		X
DESIGNED BY		DATE		SCALE	MATERIAL	SHEET	
RD		1998/5		1:1	POM	1/1	