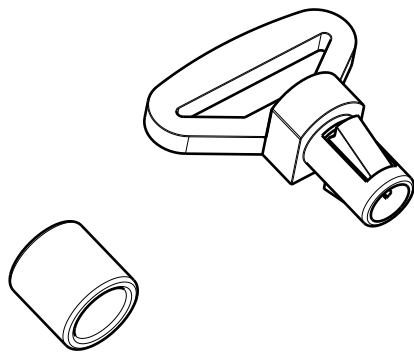
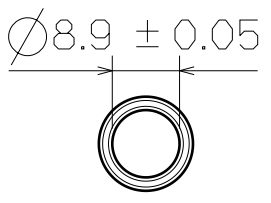
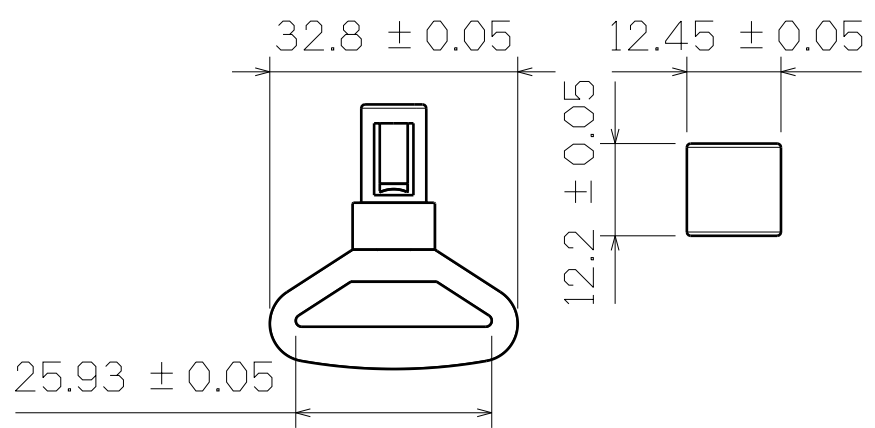


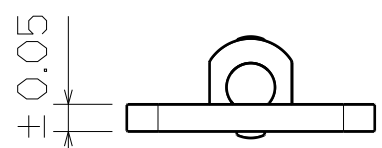
TOP VIEW



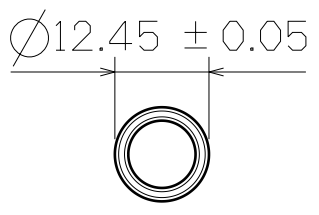
3D VIEW




SF339



BOTTOM VIEW



This drawing is our property. It can't be reproduced or communicated without our written agreement.		 <b>SHIN FANG PLASTIC INDUSTRIAL CO., LTD.</b>			
DRAWN BY <b>DANIEL CHEN</b>		DATE 2007/2/5		DRAWING TITLE <b>LOCKING CORD LOOP</b>	
CHECKED BY <b>JIMMY CHEN</b>		DATE 2007/2/8		SIZE <b>A3</b>	REV <b>X</b>
DESIGNED BY <b>RD</b>		DATE 2007/2		DRAWING NUMBER <b>SF339-25MM</b>	
		SCALE <b>1:1</b>	MATERIAL <b>POM</b>	SHEET <b>1/1</b>	