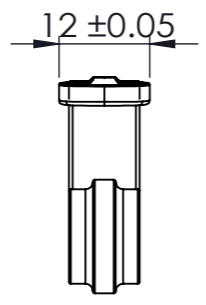
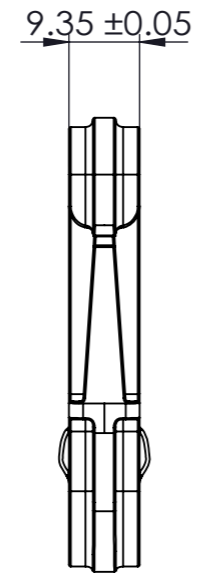


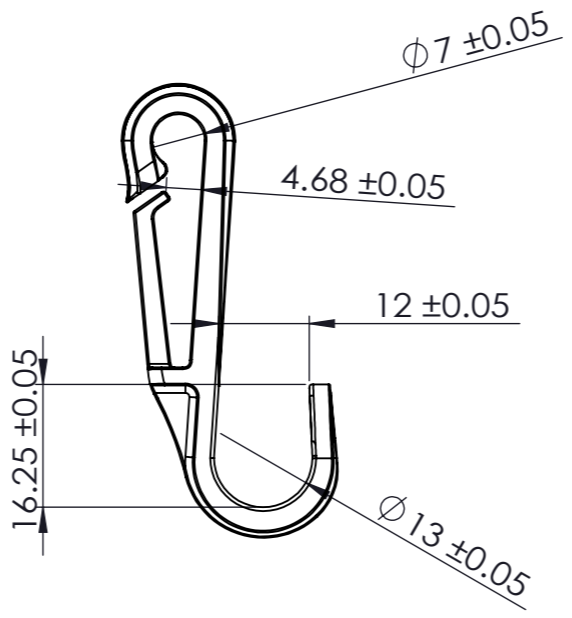
RIGHT SIDE VIEW



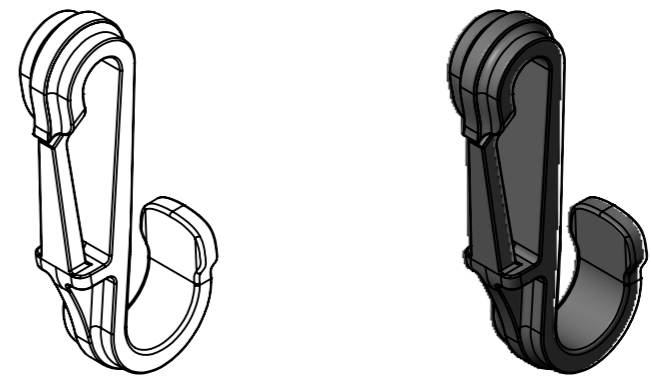
TOP VIEW



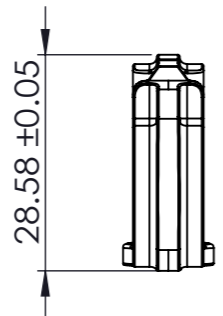
FRONT VIEW



LEFT SIDE VIEW



3D VIEW



BOTTOM VIEW

This drawing is our property.
It can't be reproduced
or communicated without
our written agreement.



DRAWN BY BRUCE WANG		DATE 2016/09/10	DRAWING TITLE CORD HOOK	
CHECKED BY DANIEL CHEN	DATE 2016/09/15	SIZE A3	DRAWING NUMBER SF359	REV X
DESIGNED BY RD	DATE 2016/09/18	SCALE:1:1	MATERIAL: POM	SHEET 1/1