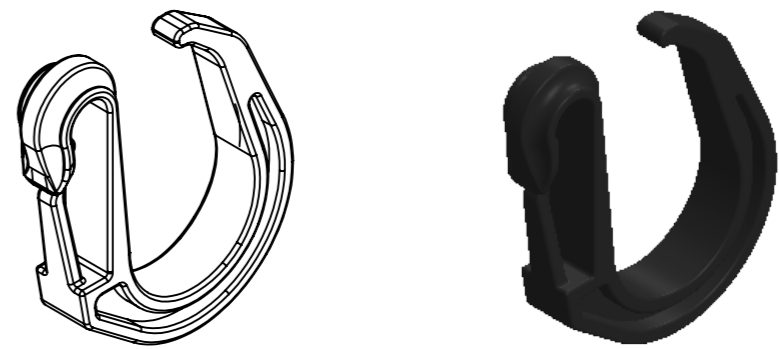
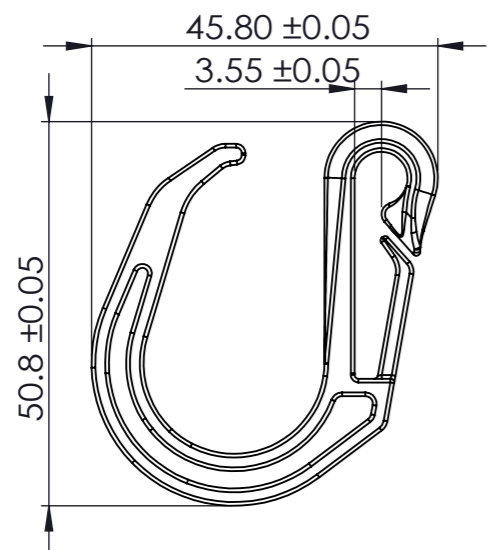


8.9 ± 0.05

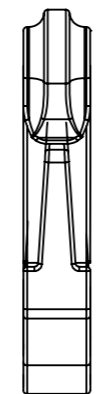
TOP VIEW



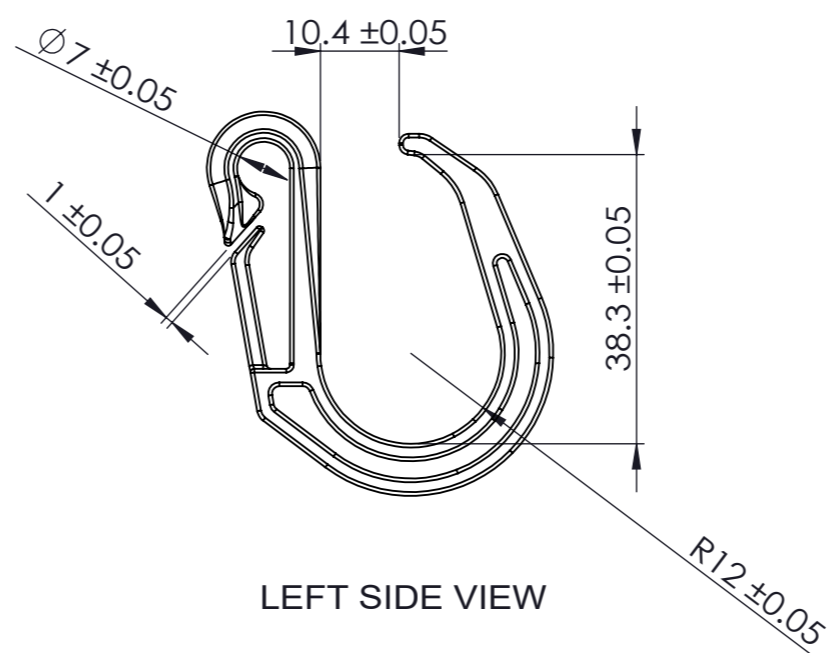
3D VIEW



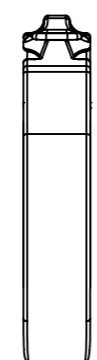
RIGHT SIDE VIEW



FRONT VIEW



LEFT SIDE VIEW



BOTTOM VIEW

This drawing is our property.  
It can't be reproduced  
or communicated without  
our written agreement.



DRAWN BY <b>BRUCE WANG</b>		DATE 2016/09/10	DRAWING TITLE <b>CORD HOOK</b>	
CHECKED BY DANIEL CHEN	DATE 2016/09/15	SIZE <b>A3</b>	DRAWING NUMBER <b>SF357</b>	REV X
DESIGNED BY <b>RD</b>	DATE 2016/09/18	SCALE:1:1	MATERIAL: POM	SHEET 1/1