

H

G

F

E

D

C

B

A

4

4

3

3

2

2

1

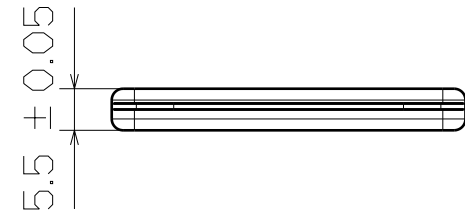
1

H

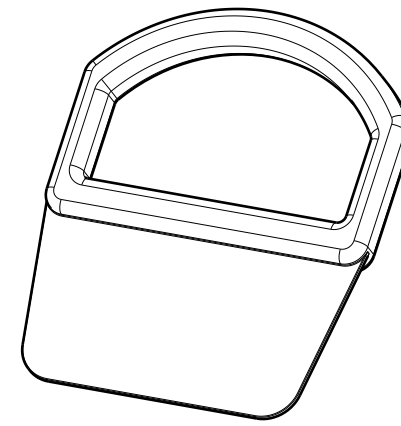
G

B

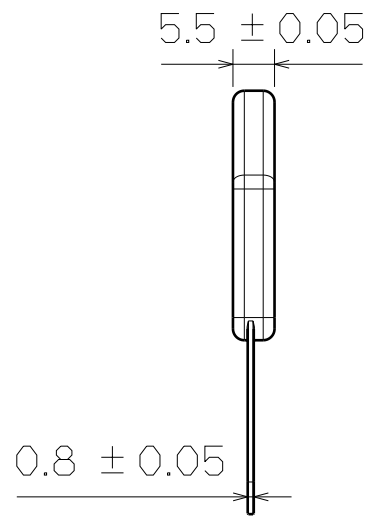
A



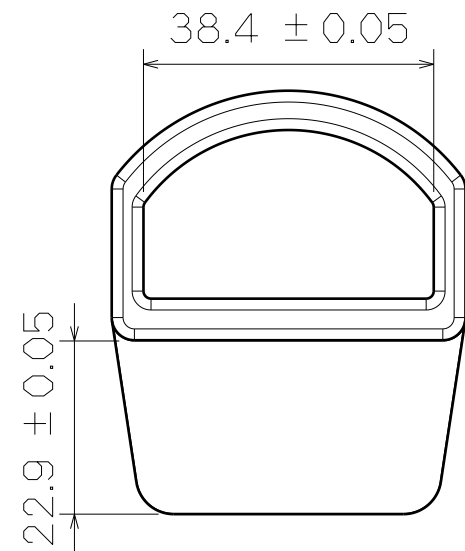
Bottom View



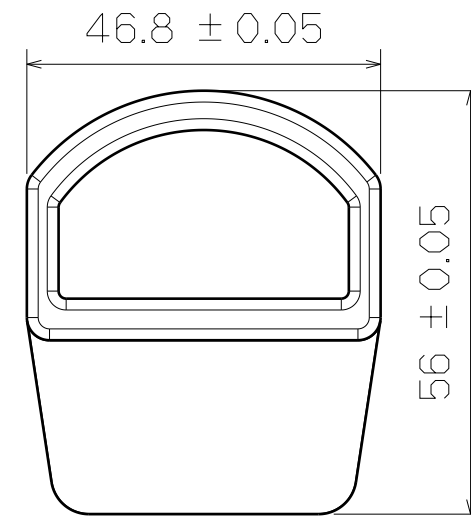
3D View



Right View



SF408-38mm



Back View

This drawing is our property.  
It can't be reproduced  
or communicated without  
our written agreement.



DRAWING TITLE

DRAWN BY	DATE
DANIEL CHEN	2001/8/5
CHECKED BY	DATE
JIMMY CHEN	2001/8/7
DESIGNED BY	DATE
RD	2001/8

SEWABLE D-RING				REV
SIZE	DRAWING NUMBER		REV	
A3	SF408-38MM		X	
SCALE	1:1	MATERIAL	NYLON	SHEET
				1/1