

D

C

B

A

4

4

3

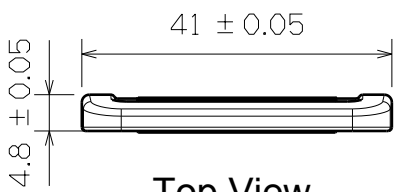
3

2

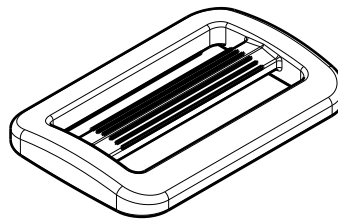
2

1

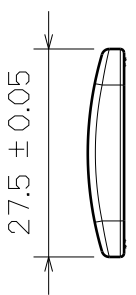
1



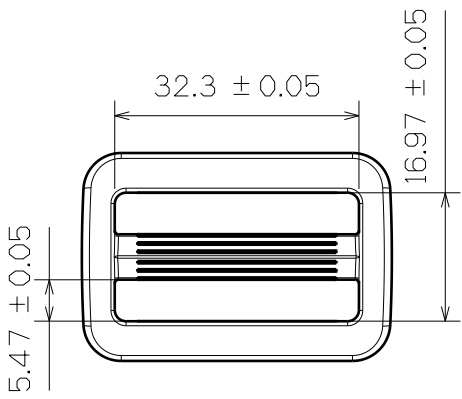
Top View



3D View



Right View



SF511-32mm



This drawing is our property.  
It can't be reproduced  
or communicated without  
our written agreement.



DRAWN BY	DATE
<b>DANIEL CHEN</b>	2000/6/5
CHECKED BY	DATE
<b>JIMMY CHEN</b>	2000/6/8
DESIGNED BY	DATE
<b>RD</b>	2000/6

DRAWING TITLE			
<b>SLIDE</b>			
SIZE	DRAWING NUMBER		REV
<b>A4</b>	<b>SF511-32MM</b>		<b>X</b>
SCALE	1:1	MATERIAL	POM
SHEET		1/1	

D

A