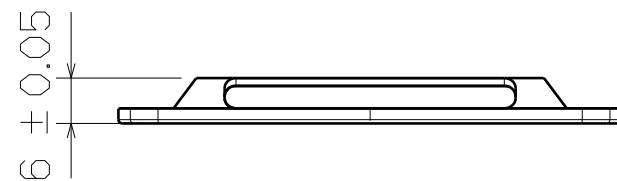
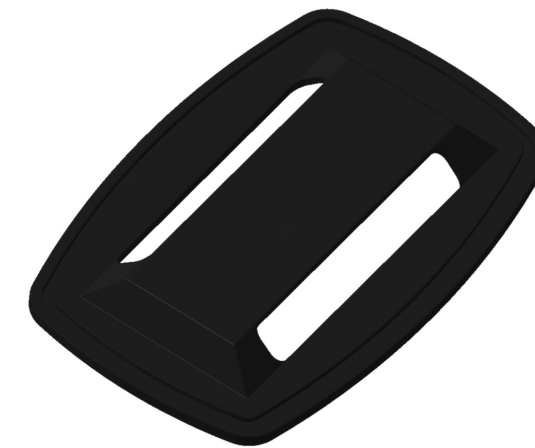
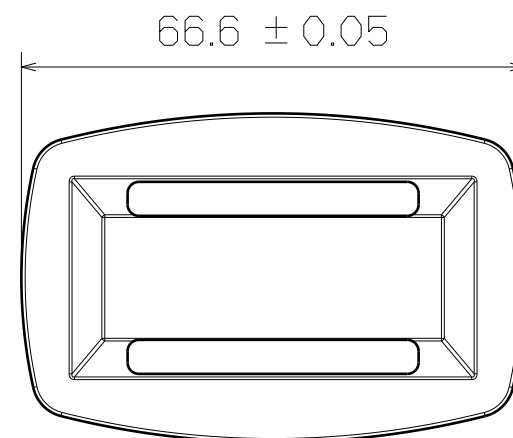


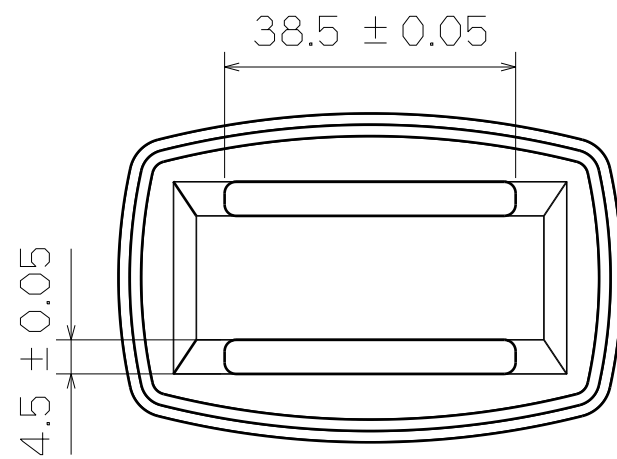
3D View



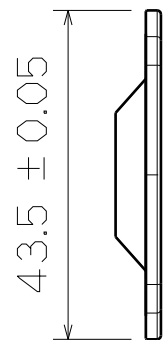
Top View



Back View



SF711



Right View



**SHIN FANG PLASTIC  
INDUSTRIAL CO., LTD.**

This drawing is our property.  
It can't be reproduced  
or communicated without  
our written agreement.

DRAWING TITLE

LASH TAB

DRAWN BY	DATE
DANIEL CHEN	1999/6/2
CHECKED BY	DATE
JIMMY CHEN	1999/6/8
DESIGNED BY	DATE
RD	1999/6

SIZE	DRAWING NUMBER	REV
A3	SF711	X
SCALE	1:1	MATL. HYTREAL
SHEET	1/1	