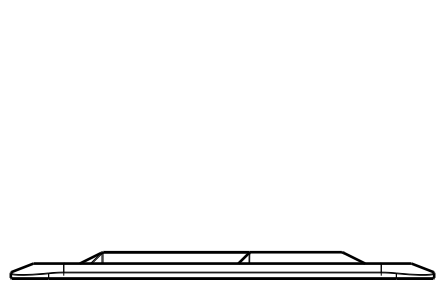


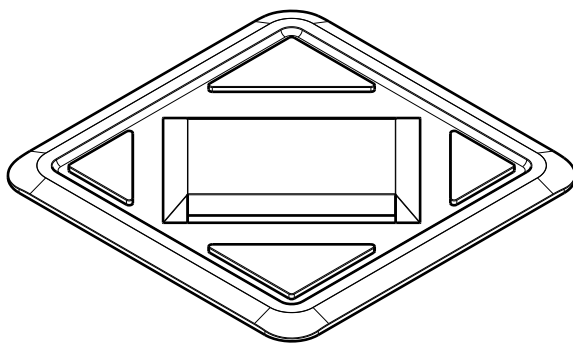
H G F E D C B A

4

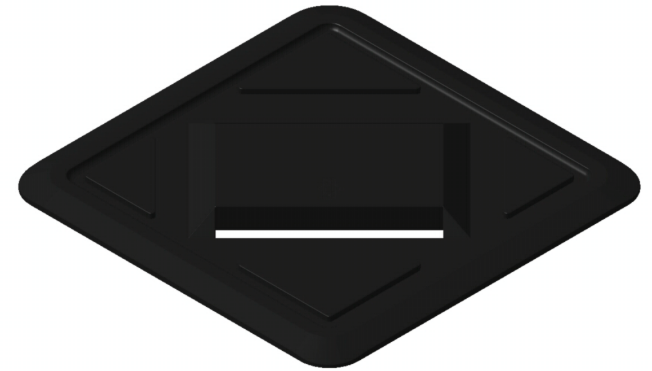
4



Top View

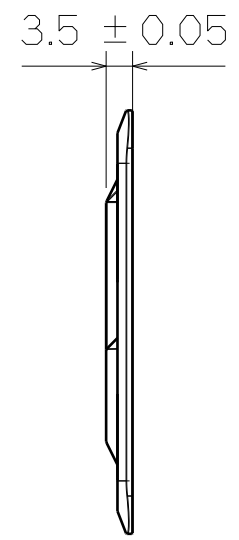


3D View

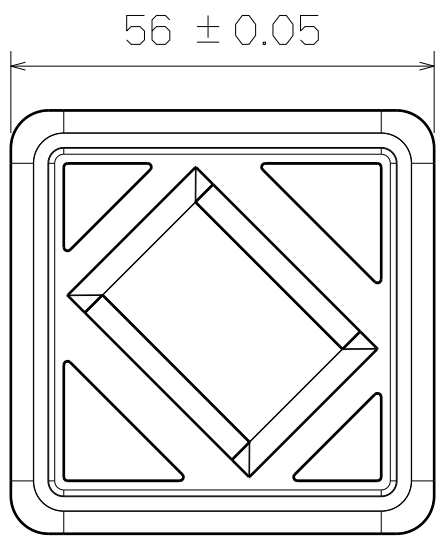


3

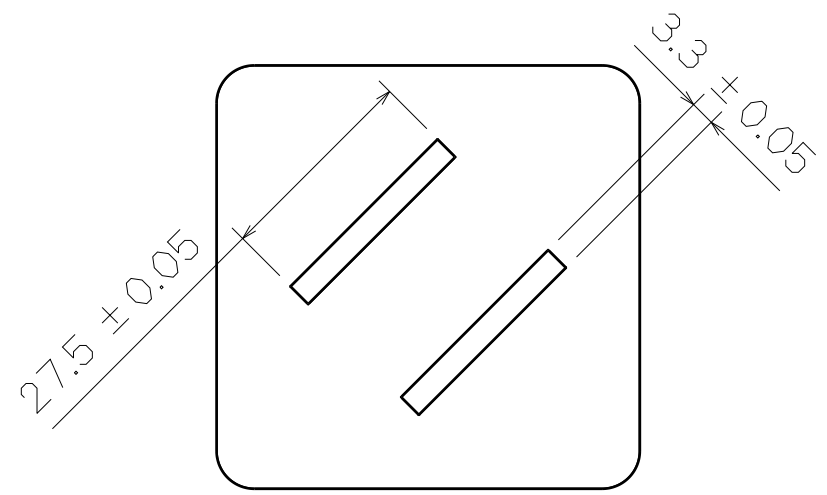
3



Right View



SF712-2-25mm



Back View

2

2

1

1

This drawing is our property.
It can't be reproduced
or communicated without
our written agreement.



**SHIN FANG PLASTIC
INDUSTRIAL CO., LTD.**

DRAWN BY	DATE
DANIEL CHEN	1999/6/2
CHECKED BY	DATE
JIMMY CHEN	1999/6/8
DESIGNED BY	DATE
RD	1999/6

DRAWING TITLE				
LASH TAB				
SIZE	DRAWING NUMBER			REV
A3	SF712-2-25MM			X
SCALE	1:1	MATL.	HYTREAL	SHEET
				1/1

H G B A