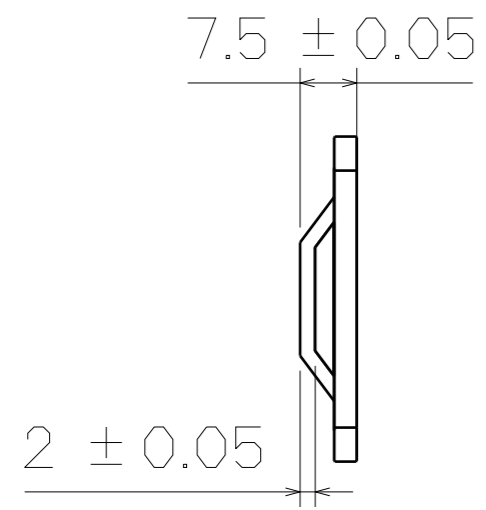
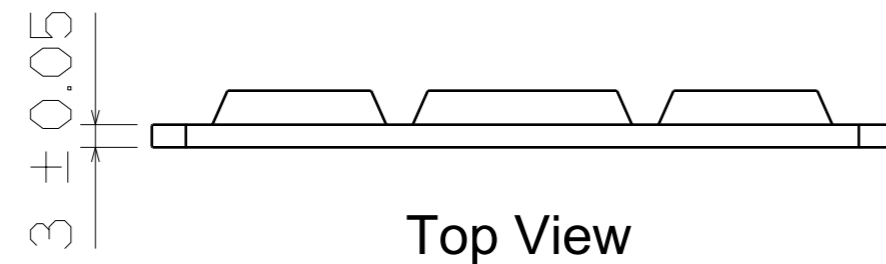


H G F E D C B A

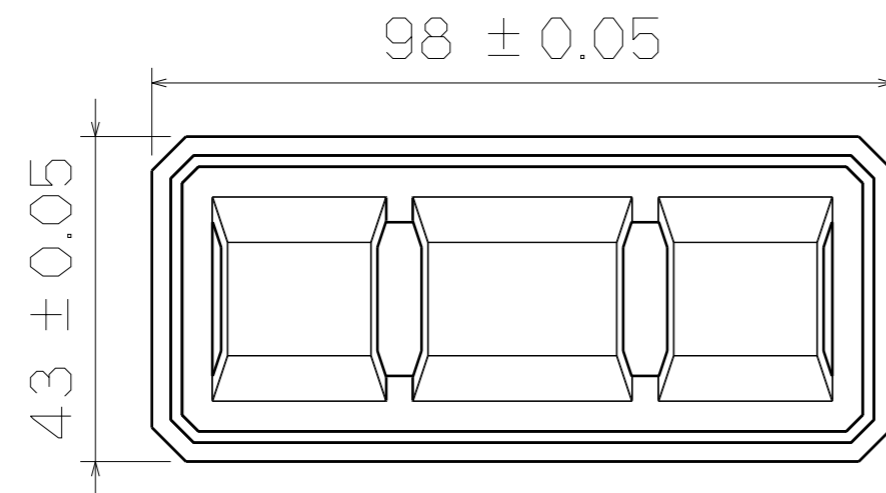
8 7 6 5 4 3 2 1



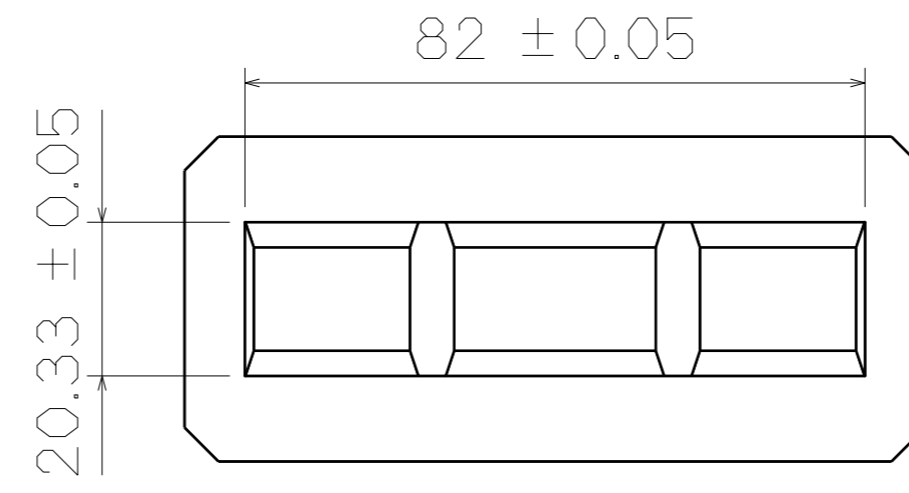
Right Side View



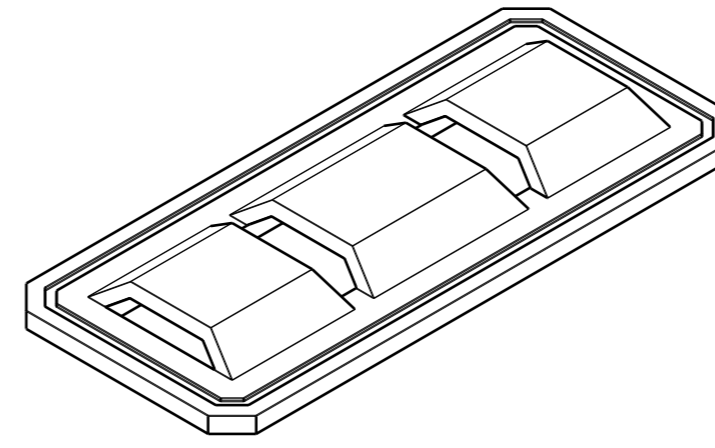
Top View



SF718-25mm



Back View



3D View



This drawing is our property.
It can't be reproduced
or communicated without
our written agreement.



DRAWN BY		DATE		DRAWING TITLE			
DANIEL CHEN		1998/9/5		LASH TAB			
CHECKED BY		DATE		SIZE	DRAWING NUMBER		REV
JIMMY CHEN		1998/9/8		A2	SF718		X
DESIGNED BY		DATE		SCALE	MATL.	HYTREAL	SHEET
RD		1998/9		1:1			1/1

H G F E D C B A