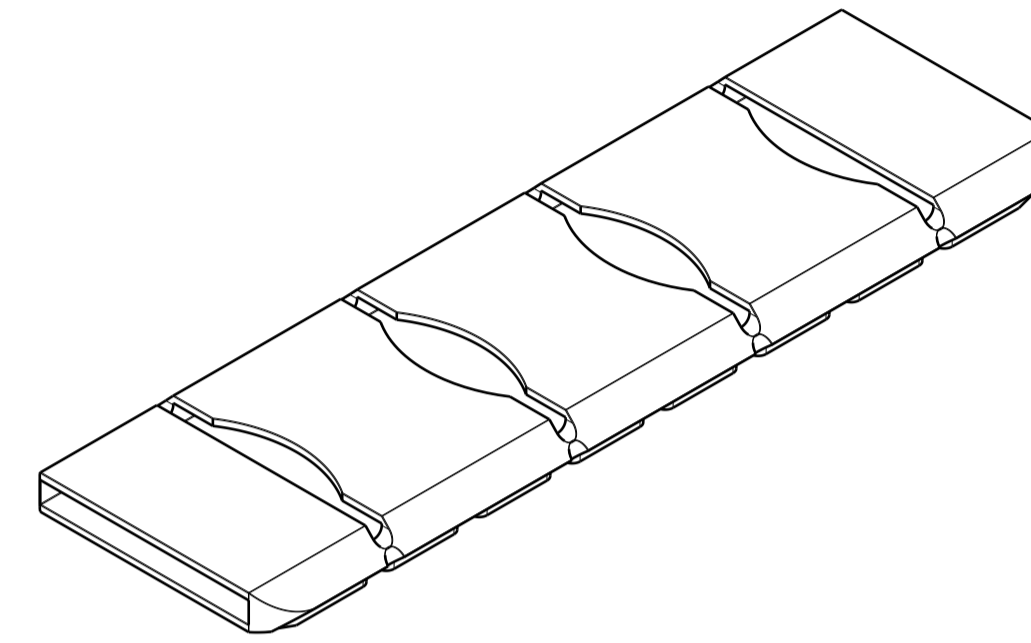
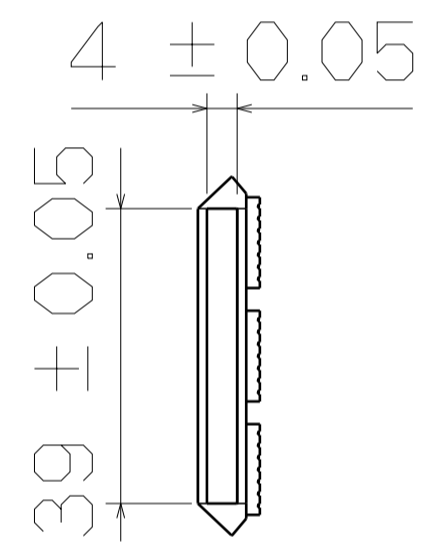


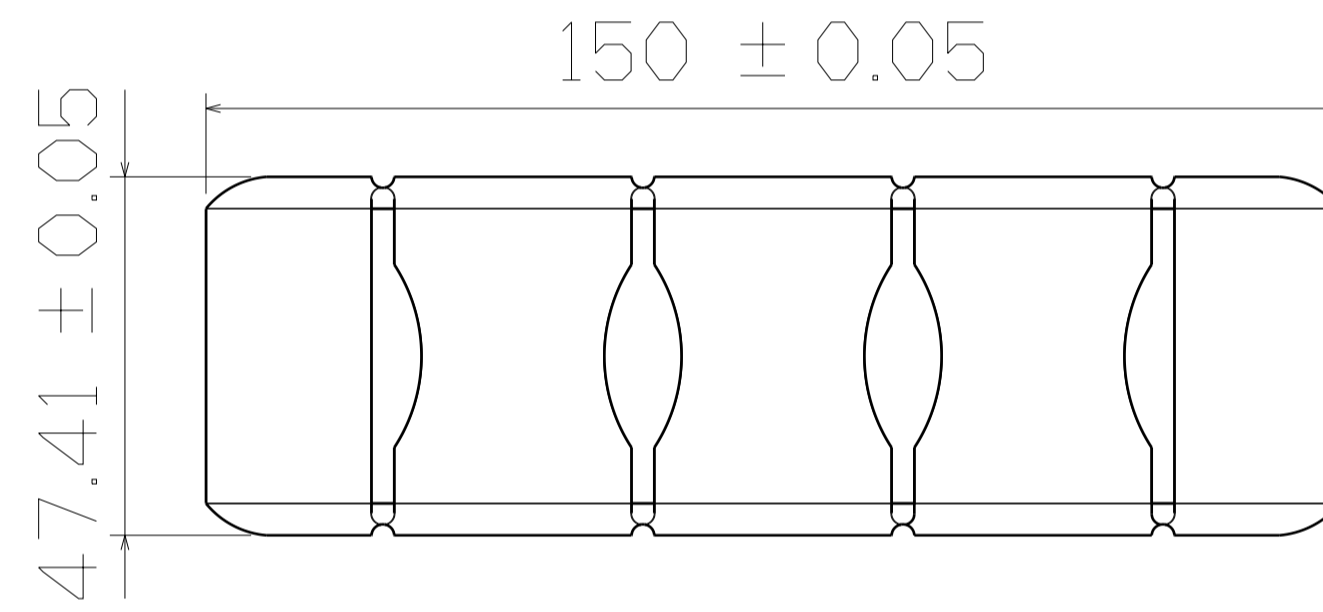
Top View



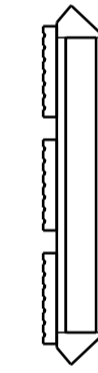
3D View



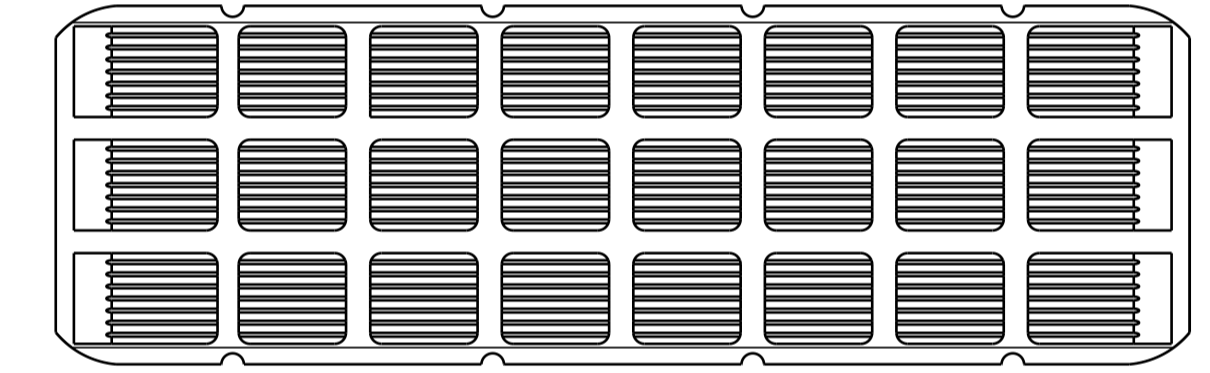
Right View



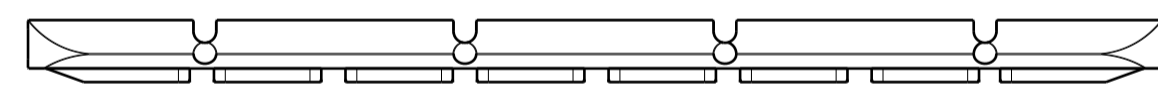
SF719-38mm




Left View



Back View



Bottom View

This drawing is our property. It can't be reproduced or communicated without our written agreement.		 <b>SHIN FANG PLASTIC INDUSTRIAL CO., LTD.</b>			
DRAWN BY		DATE		DRAWING TITLE	
DANIEL CHEN		2000/3/2		SHOULDER PAD	
CHECKED BY		DATE		SIZE	DRAWING NUMBER
JIMMY CHEN		2000/3/5		A1	SF719
DESIGNED BY		DATE		SCALE	MATERIAL
RD		2000/3		1:1	PVC
				SHEET	1/1