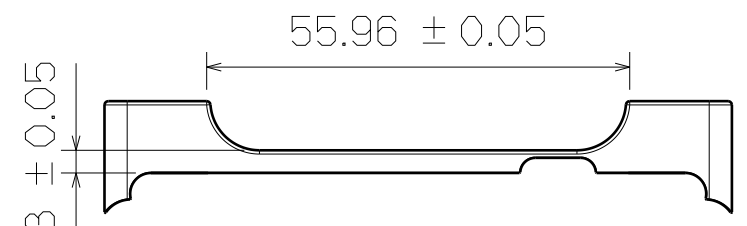
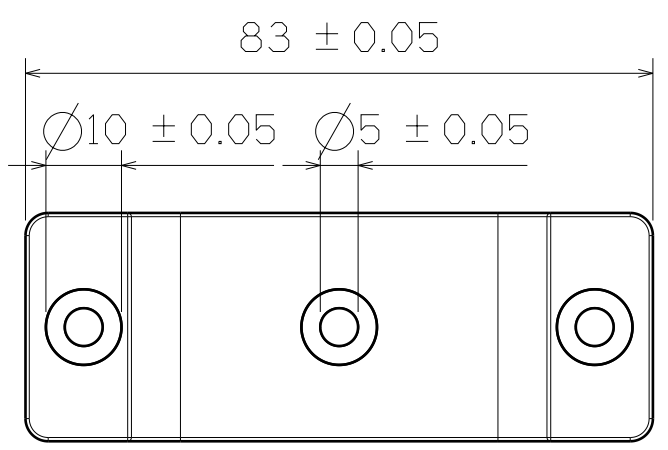


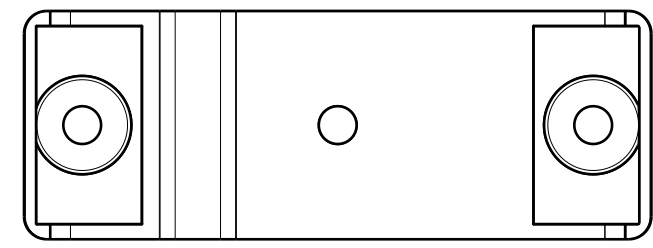
3D View



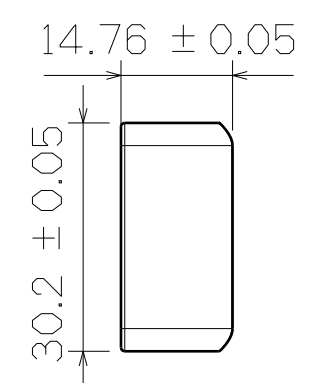
Top View



SF726-2



Back View



Right View

This drawing is our property.  
It can't be reproduced  
or communicated without  
our written agreement.



**SHIN FANG PLASTIC  
INDUSTRIAL CO., LTD.**

DRAWN BY		DATE		DRAWING TITLE			
DANIEL CHEN		2000/9/7		BOTTOM PAD			
CHECKED BY		DATE		SIZE	DRAWING NUMBER		REV
JIMMY CHEN		2000/9/9		A3	SF726-2		X
DESIGNED BY		DATE		SCALE	1:1	MATERIAL	PU
RD		2000/9		SHEET	1/1		