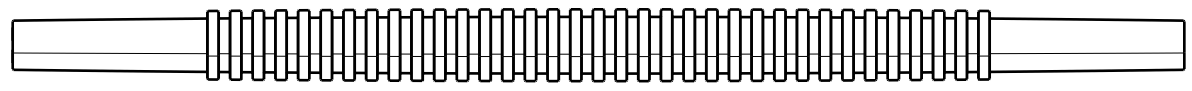


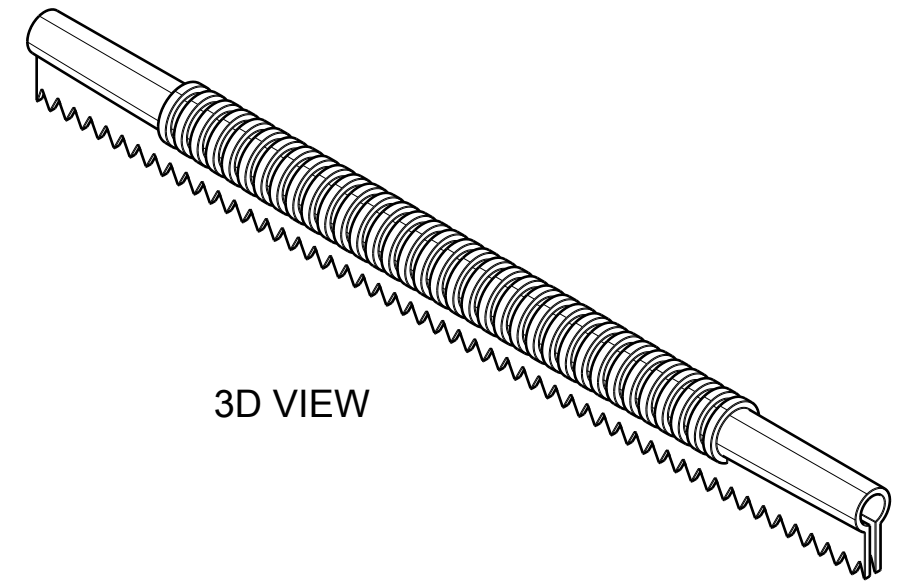
H G F E D C B A

4

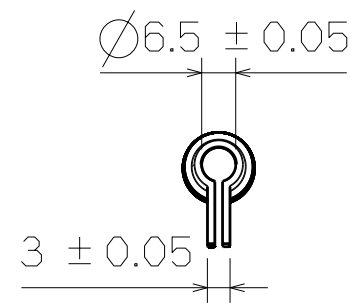
4



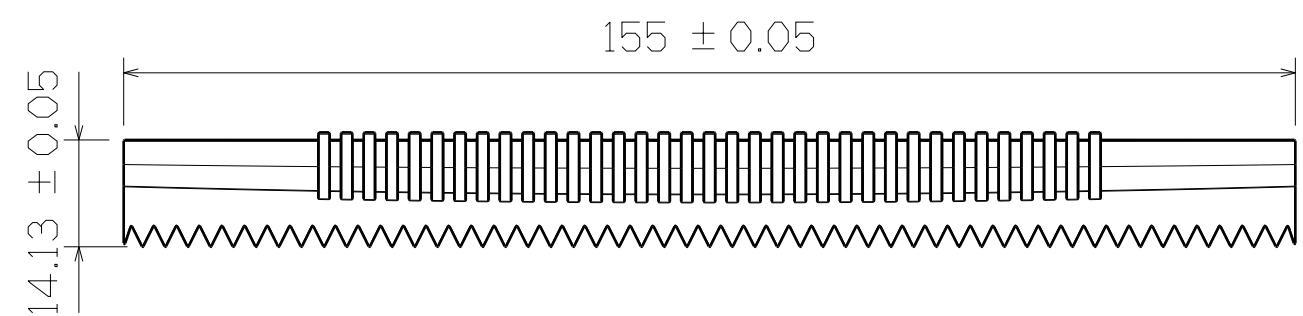
TOP VIEW



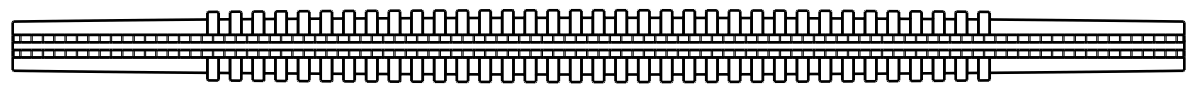
3D VIEW



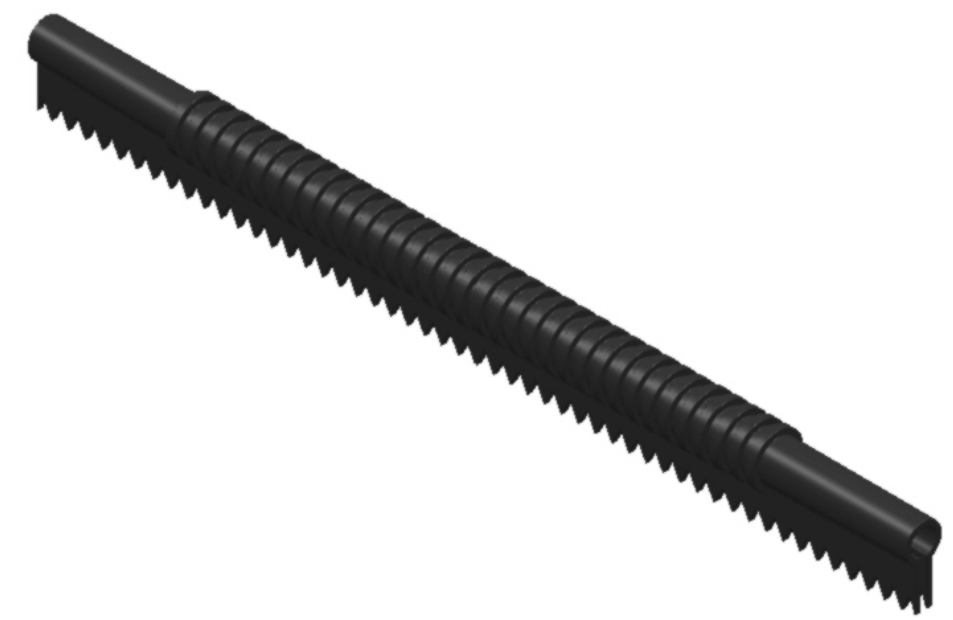
RIGHT VIEW



SF790-6



BOTTOM VIEW




2

2

1

1

This drawing is our property. It can't be reproduced or communicated without our written agreement.		 SHIN FANG PLASTIC INDUSTRIAL CO., LTD.			
DRAWN BY DANIEL CHEN		DATE 2001/4/5		DRAWING TITLE PROTECTING STRIP	
CHECKED BY JIMMY CHEN		DATE 2001/4/8		SIZE A3	REV X
DESIGNED BY RD		DATE 2001/4		SCALE 1:1	DRAWING NUMBER SF790-6
		MATERIAL PVC	SHEET 1/1		

H G B A