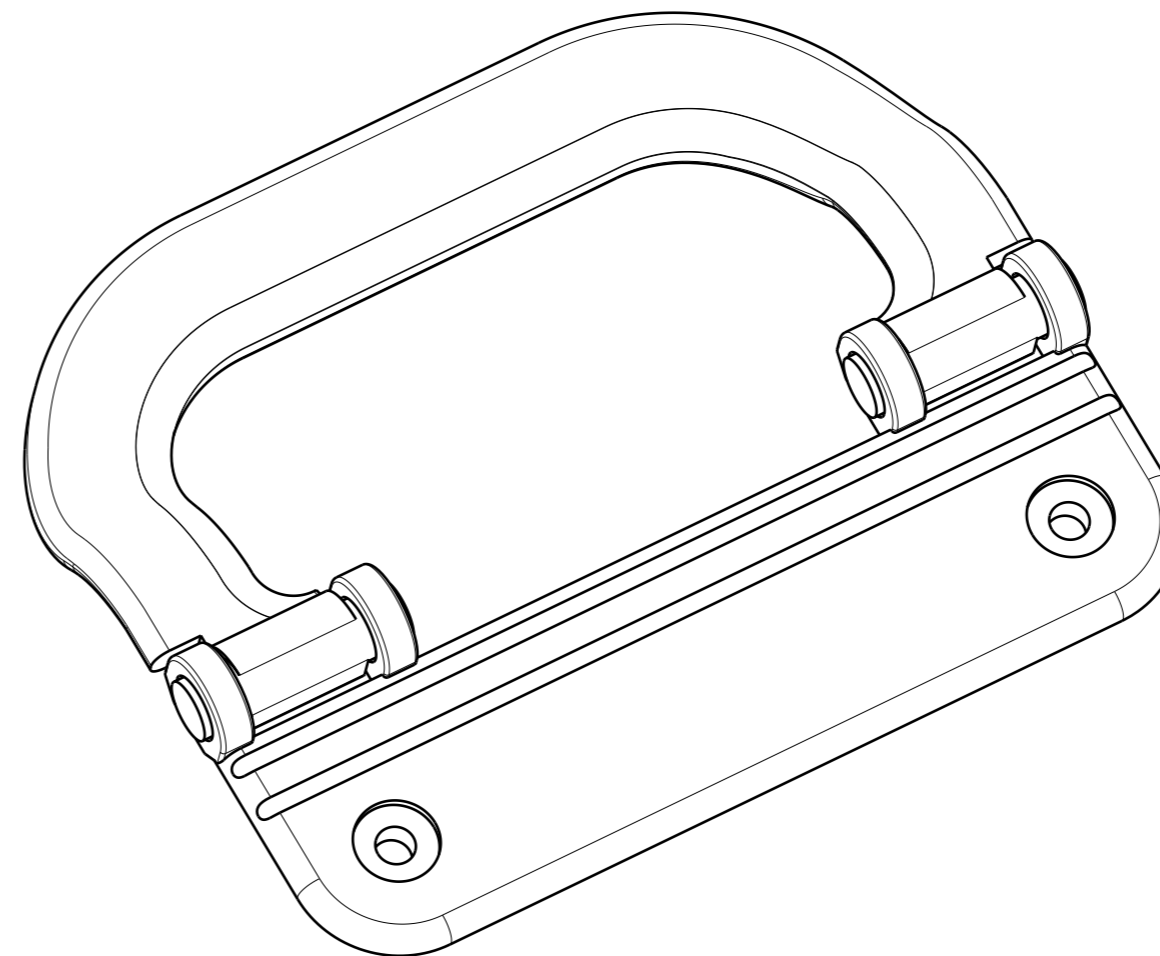
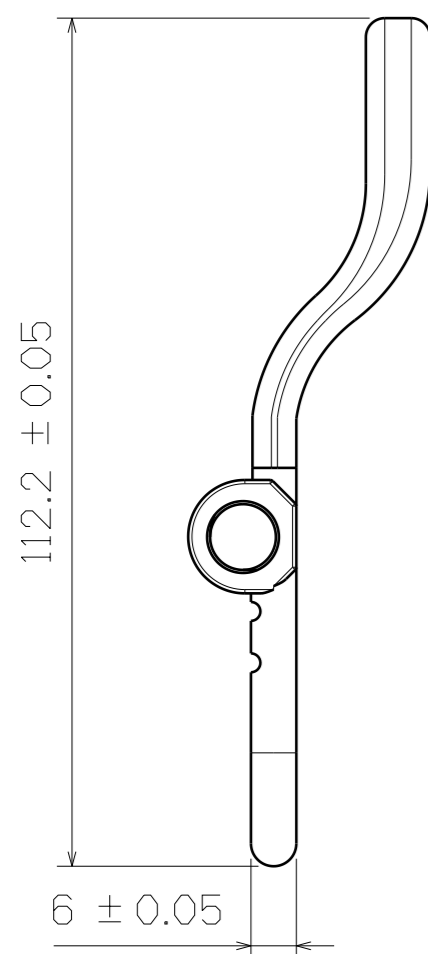


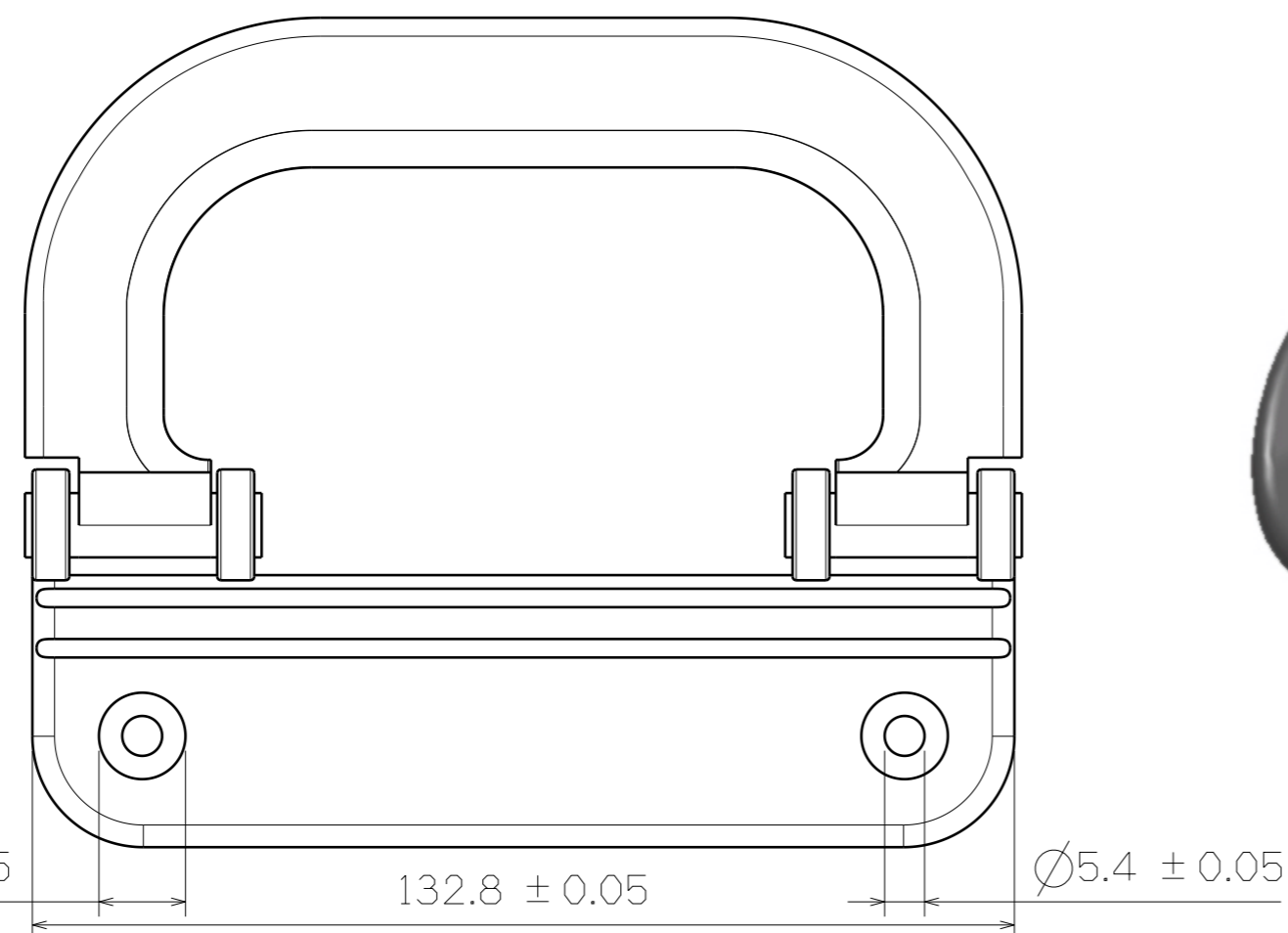
TOP VIEW



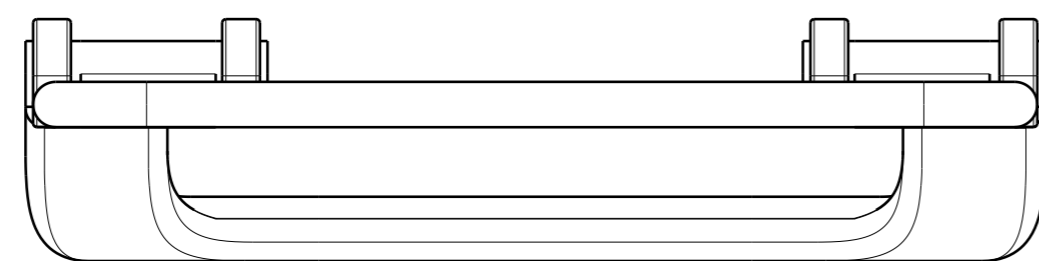
3D VIEW



RIGHT VIEW



SF805



BOTTOM VIEW

This drawing is our property. It can't be reproduced or communicated without our written agreement.					
DRAWN BY		DATE		DRAWING TITLE	
DANIEL CHEN		2003/5/6		HANDLE	
CHECKED BY		DATE		SIZE	DRAWING NUMBER
JIMMY CHEN		2003/5/9		A2	SF805
DESIGNED BY		DATE		SCALE	MATERIAL
RD		2003/5		1:1	PP
				SHEET	1/1
				REV	X