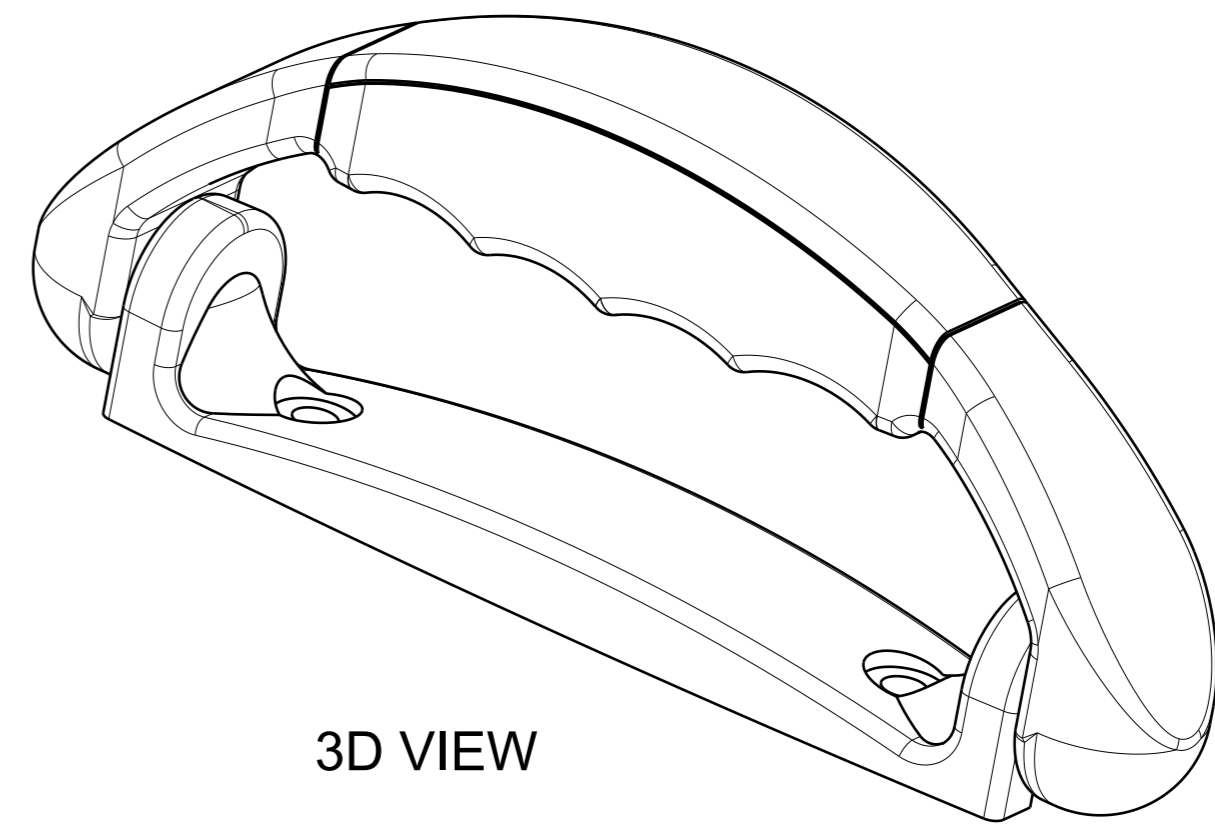
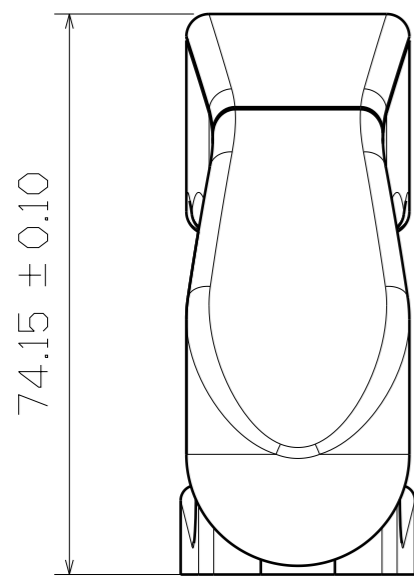


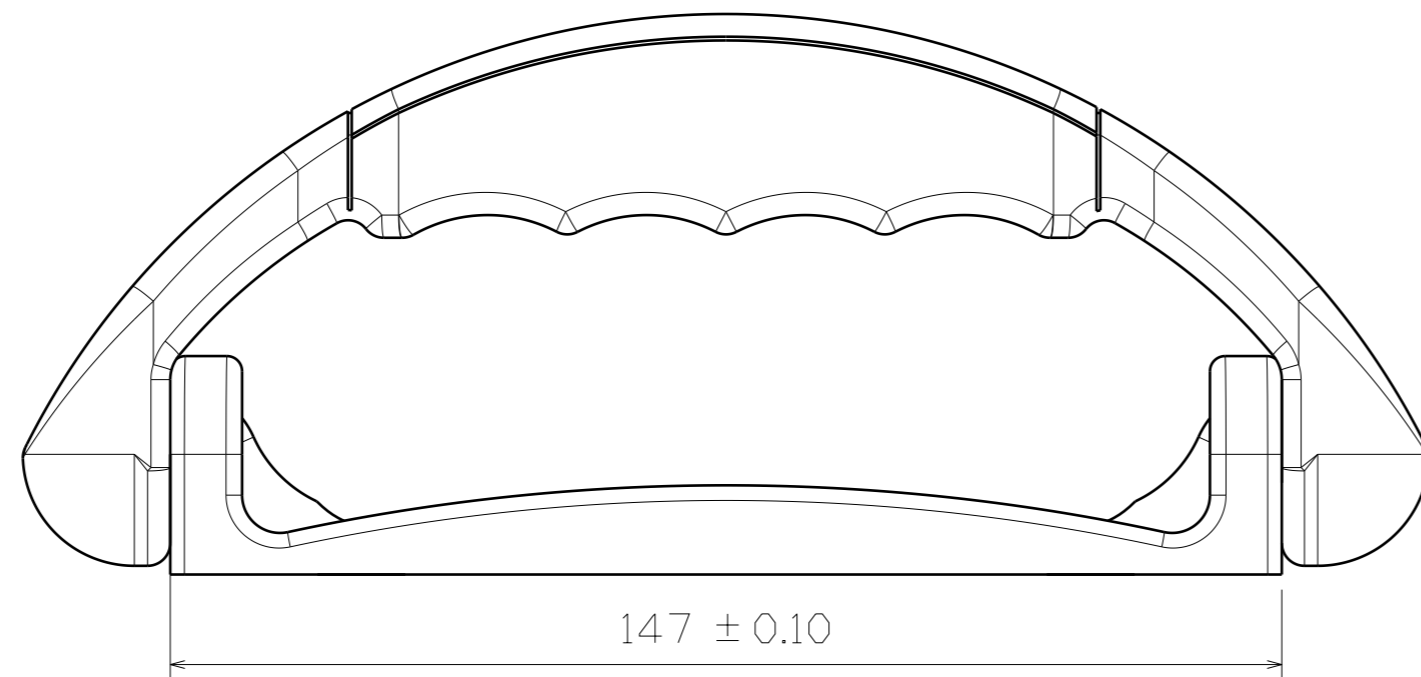
TOP VIEW



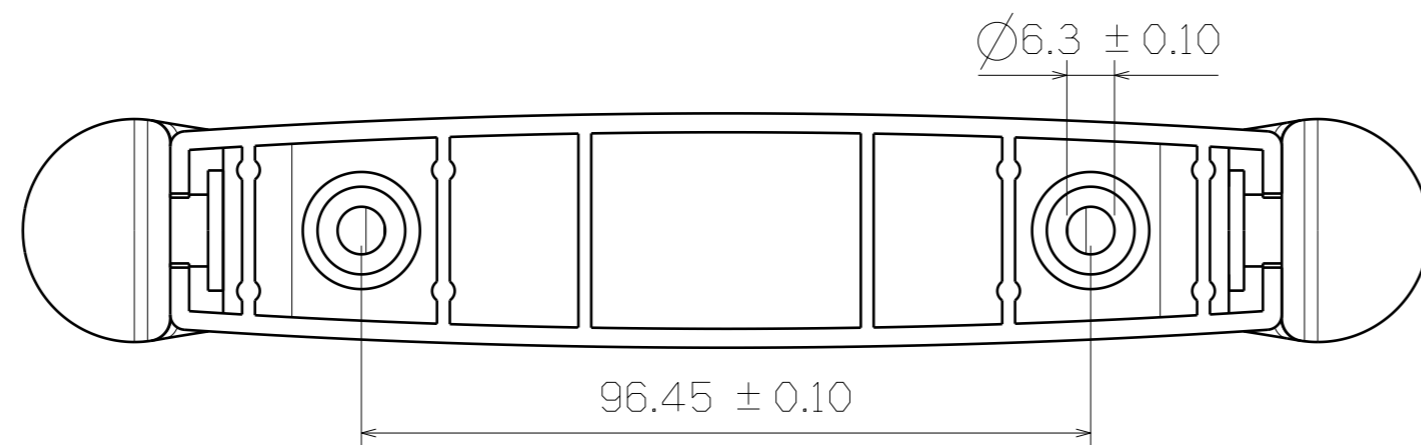
3D VIEW



RIGHT VIEW



SF809-2



BOTTOM VIEW



This drawing is our property. It can't be reproduced or communicated without our written agreement.					
DRAWN BY DANIEL CHEN		DATE 2002/5/8		DRAWING TITLE HANDLE	
CHECKED BY JIMMY CHEN		DATE 2002/5/11		SIZE A2	DRAWING NUMBER SF809-2
DESIGNED BY RD		DATE 2002/5		SCALE 1:1	MATERIAL PP
				SHEET 1/1	REV X